

GrainVac

Options Guide



Rem

Rem



Midwest 252



Midwest 552



GrainVac 1026



GrainVac 1026A



GrainVac 1026B



GrainVac 2100



GrainVac 2100D



GrainVac 2500



GrainVac 2500D



GrainVac 2700



GrainVac 2700D



GrainVac 3700



GrainVac 3700D

Rem



Rem





Table of Contents

4" Heavy Rubber Hose & Components.....	1
6" Light Durathane, Heavy Rubber Hose, & Stainless Steel Pipes.....	2
6" Hose Components, Floor Sweep, Anti-Slip Tape, & Clean-Up Nozzle with Wheels.....	3
6", 7", & 8" Reducers / Transitions.....	4
7" 45° & 90° Hose Elbow Kits & 7" Rotating Ball Joint Kit.....	5
7" Bendahose, Hose Caddy, Light Durathane Hoses.....	6
7" Basketweave Hoses & Lay Flat Hose Cover	7
7" Aluminum Pipes, Stainless Steel Pipes, & Telescoping Tubes.....	8
7" Hose Components, Replacement Clamp Handle Kit & Anti-Slip Tape.....	9
8" Basketweave Hoses & Bendahose.....	10
8" Stainless Steel & Aluminum Pipes, Telescoping Tube & Rotating Ball Joint Kit.....	11
Hose Caddy, 8" 45° & 90° Pipe Hose Elbow Kits.....	12
8" Hose Components, Replacement Clamp Handle Kit & Anti-Slip Tape.....	13
7" Clean-Up Nozzle with Wheels & 7" & 8" Bin Load-Out Nozzles.....	14
7" & 8" Floor Sweeps, Handle Kit, & 7" & 8" Floor Sweep Optimizers.....	15
Shear Pin Kits (Models: 2100 to 3700), End Spout & Drum Brush Kits (Models: 552 - 3700)	16
Re-Direct Your Exhaust (Models: 252, 552, 1026, 1026A, 1026B, & 2100).....	17
Dust Collector Kits (Models: 1026A - 2500) & 45 US Gallon Barrel Option.....	18
Dust Collector Kits (Models: 2700 & 3700).....	19
Re-Direct Your Exhaust (Model: 2500).....	20
Exhaust Extension Kits (Model: 2500).....	21
Re-Direct Your Exhaust (Models: 2700 & 3700).....	22
8" Pull Ring & Gasket, 8" x 11" Exhaust Adapter, & 45° & 90° Exhaust Elbows.....	23
Stub Unloading Auger Kits (1026A to 2500) & Transport Light Kits (2100, 2500 & 3700)..	24



4" Heavy Rubber Hose

Part #: 3420-04-0003*

- Sold by the foot
- Used to get into tight spaces
- * No warranty guarantee



4" Male Hose End

Part #: 07-100821



4" to 7" Adapter

Part #: 38-107498



4" to 6" Adapter

Part #: 20-101341



6" x 12' Light Durathane Hose

Part #: 3420-06-0012*

- Use when maximum flexibility is required
- Shorter life span than heavy rubber
- * No warranty guarantee



6" x 12' Heavy Rubber Hose

Part #: 3420-06-0001*

- More durable than light rubber hose
- * No warranty guarantee



6" x 72" Steel Flex Pipe With Ends

Part #: 20-101442

- Use when going directly into a bin off the inlet of the vac



6" x 72" Steel Flex Pipe

Part #: 3422-06-0001

- Sold without ends

**6" Male Hose End**

Part #: 20-101286

- Used on rubber hoses or stainless steel pipes

**6" Female Hose End**

Part #: 20-101427

- Used on rubber hoses or stainless steel pipes

**6" Floor Sweep***

Part #: 38-111044

- *Also order Floor Sweep Handles Kit

Floor Sweep Handles Kit

Part #: 38-110798

- 35" Stand up handles

1" Anti-Slip Tape

Part #: 3760-02-0003

(Sold in rolls of 60 feet)

- Can be used on all male hose ends. Ensures hoses stay clamped together.

6" Clean-Up Nozzle with Wheels*

Part #: 38-104965

- *See Clean-Up Nozzle with wheels image, page 14

Reducers / Transitions**6" Male to 7" Female**

Part #: 38-104690

**7" Male to 6" Female**

Part #: 38-103897

**7" Female to 8" Male**

Part #: 38-110650

**7" Male to 8" Female**

Part #: 38-107474



7" - 45° Pipe Hose Elbow

Kit Part #: 38-107211

- Used to maintain capacity when going around curves or obstacles



7" - 90° Pipe Hose Elbow

Kit Part #: 38-107210

- Used to maintain capacity when going around curves or obstacles



7" Rotating Ball Joint

Kit Part #: 38-111866

- Install between any hose connection for an extra 40 degrees of movement.
- Takes strain off of hose ends, inlet and stainless steel flex hoses.





7" x 4' Bendahose

Part #: 38-112190

Install when you need flexibility. Get into tight corners, work around aeration tubes and clean the grain from both sides of your bin doors with less effort or sacrificing much capacity.

Picture shown with another Bendahose and Floor Sweep (page 15) with long handles.



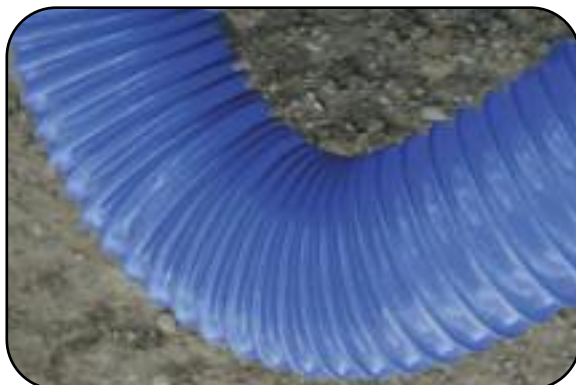
Hose Caddy

Part #: 38-112204

A quick and easy way to make hoses glide on the floor. Attaches quickly to your hose system to allow for greater freedom and mobility.



Picture shown with: Bendahose, Ball Joint (page 5), and an aluminum pipe (page 8).



7" Light Durathane Hose

25' Part #: 3420-07-0042*

12.5' Part #: 38-112179*

8' Part #: 38-112180*

- Use for maximum flexibility
- Sold without ends

* No warranty guarantee



Basketweave Hose

7" x 80" Hose

3420-07-0039*

7" x 12' 6" Hose

3420-07-0018*

- Sold without ends
- Use when maximum flexibility is required
- * No warranty guarantee



Female End



Male End



Basketweave Hose 7" x 8' Hose Complete

Part # 38-110954*

- Sold with ends installed
- Use when maximum flexibility is required
- * No warranty guarantee



Lay Flat Hose Cover

Part # 3420-08-0015

- Sold by the foot
 - Slide the cover over your existing 7" hose to protect from wear
- Hose tighteners needed:
2 of Part #: 6190-00-0128



Aluminum Pipe

7" x 54" Part #: 38-105259

7" x 87" Part #: 38-105260

7" x 10' Part #: 38-104312

- Sold with ends
- Ideal when moving material at longer distances



Stainless Steel Flex Pipe

7" x 29" Part #: 38-105143

7" x 81" Part #: 38-104112

- Sold complete with hose ends



Stainless Steel Flex Pipe

7" x 81" Part #: 3422-07-0001

7" x 29" Part #: 3422-07-0002

- Sold without ends



7" (3' To 6') Telescoping Tube
Shown Here Closed & Open

7" Telescoping Tubes

3' to 6' Part #: 38-104966

8' to 16' Part #: 38-108116

- Telescopes, giving the operator more customized range

**7" Male Hose End**

Part #: 38-103856

- Used on rubber hoses or stainless steel pipes

**7" Female Hose End**

Part #: 38-111291

- Used on rubber hoses or stainless steel pipes

**7" Female Hose End**

Part #: 38-112768

- Pre-drilled holes for riveting

1" Anti-Slip Tape

Part #: 3760-02-0003

(Sold in rolls of 60 feet)

- Can be used on all male hose ends. Ensures hoses stay clamped together.

Replacement Clamp Handle

Kit Part #: 55-111694

(Use on 7" or 8" hose clamps)





Basketweave Hose 8" x 80" Hose

Part #: 3420-08-0080*

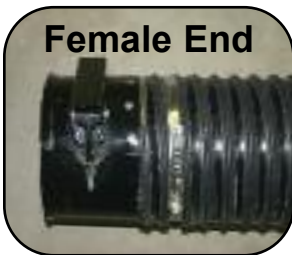
- Sold without ends
 - Use when maximum flexibility is required
- * No warranty guarantee



Basketweave Hose 8" x 8' Hose Complete

Part #: 38-111393*

- Sold with ends installed
 - Use when maximum flexibility is required
- * No warranty guarantee



8" x 4' Bendahose

Part #: 55-112193

Install when you need flexibility.
Get into tight corners, work around aeration tubes and clean the grain from both sides of your bin door's with less effort or sacrificing much capacity.

Picture shown with a second Bendahose and Floor Sweep (page 15) with long handles.



Stainless Steel Flex Pipes

8" x 29" Part #: 38-111569

8" x 80" Part #: 38-110535

- Sold with ends

Aluminum Pipes

8" x 5' Part #: 55-111081

8" x 8' Part #: 55-111079

8" x 10' Part #: 38-110657

- Sold with ends
- Ideal when moving material at longer distances



Shown Here Open



Shown Here Closed

8" Telescoping Tube

(2' to 3') Part #: 55-111104

- Used during load out conditions either to get operator closer to the bin or to increase length

8" Rotating Ball Joint

Kit Part #: 55-112194

- Install between any hose connection for an extra 40 degrees of movement. Takes strain off of hose ends, inlet and stainless steel flex hoses.





Hose Caddy

Part #: 38-112204

A quick and easy way to make hoses glide on the floor. Attaches quickly to your hose system to allow for greater freedom and mobility.



Picture to the left is shown with:
Bendahose (page 10), Ball Joint (page 11) and an aluminum pipe (page 10).



8" - 45° Pipe Hose Elbow

Kit Part #: 55-112771

Components included:

- (1) female clamp end; (1) male clamp end;
- (1) 45 degree elbow; (2) pull rings;
- (2) gaskets



8" - 90° Pipe Hose Elbow

Kit Part #: 55-112729

Components included:

- (1) female clamp end; (1) male clamp end;
- (1) 90 degree elbow; (2) pull rings;
- (2) gaskets



8" Female Hose End

Part #: 55-112581

- Use for 8" rubber hoses or steel pipes
8" Hose tightener needed:
Part # 6190-00-0128



8" Female Hose End

Part #: 55-112660

- Use for 8" aluminum pipes
- Pre-drilled holes for riveting



8" Male Hose End

Part #: 38-110537

- Use for 8" hoses & pipes
8" Hose tightener needed:
Part # 6190-00-0128

1" Anti-Slip Tape

Part #: 3760-02-0003

(Sold in rolls of 60 feet)

- Can be used on all male hose ends, to ensure hoses stay clamped together

Replacement Clamp Handle

Kit Part #: 55-111694

(Use on 7" or 8" hose clamps)



Clean-Up Nozzle with Wheels



7" Nozzle

Part #: 38-108401

- Complement your Floor Sweep - use the nozzle with wheels for finish work around the edges in the bin.

Aluminum Bin Load-Out Nozzles



7" Nozzle

Part #: 38-108923

8" Nozzle

Part #: 55-111828

- Regulate the air going into the hose during bin load-out, optimizing for continuous flow.



Floor Sweeps

7" Part #: 38-108959*

8" Part #: 38-110676*



- Excellent for clean up of grain piles, or in the bin
 - Long handles sold separately (below)

* 7" & 8" Floor Sweeps include a Floor Sweep Optimizer
see image below



Floor Sweep Handles Kit

Part #: 38-110798

- 35" Stand up handles
- Sold as a set of 2



Floor Sweep Optimizer

7" Part #: 38-112491

8" Part #: 38-112494

- Increases clean-up volume, saving you time

Miscellaneous Parts

Shear Pin Kits

Models: 2100, 2500, & 2700

Part #: 38-112427

(Package of 10)

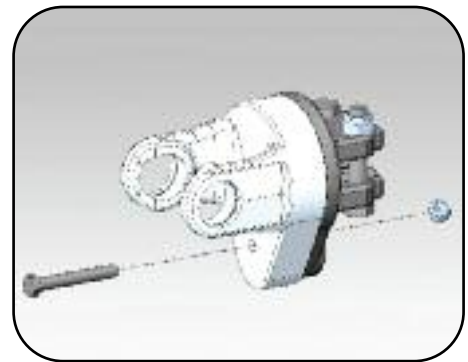


Shear Pin Kits

Model: 3700

Part #: 55-111593

(Package of 5)



End Spout - Complete

Part #: 38-108988

- Helps to direct the discharge flow
(comes with tarp strap
Part #: 3900-82-5150)

Drum Brush Kit

Part #: 38-104551

(Models: 552 to 2700)

Drum Brush Kit

Part #: 55-111222

(Model: 3700)

Re-Direct Your Exhaust

Models: 252, 552, 1026, 1026A, 1026B, & 2100



The further
away you have your
exhaust hose, the lower
the noise level at
your work area

- Direct dust, debris and noise away from your working area

6" Transition Part #: 20-101873

Choose from the following hose options below:

- A) 6" x 72" Steel Flex Pipe (complete) - Part #: 20-101442 (see page 2)
- B) 6" x 12' Light Durathane Rubber Hose - Part #: 3420-06-0012 (see page 2)
- C) 6" x 12' Heavy Rubber Hose - Part #: 3420-06-0001 (see page 2)

7" Transition Part #: 38-110020

Choose from the following hose options below:

- A) 7" x 81" Stainless Steel Hose (complete) - Part #: 38-104112 (see page 8)
- B) 7" x 8' Basketweave Hose (complete) - Part #: 38-110954 (see page 7)
- C) 7" x 87" Aluminum Pipe (complete) - Part #: 38-105260 (see page 8)

Dust Collector Kits



Models: 1026A to 2100

Kit Part #: 38-105280

(Barrel option must also be ordered, Part #: 38-110836)

- Collect dust into a barrel to prevent it from blowing around the work site, grain truck or cart



Model: 2500

Kit Part #: 38-110470

(Barrel option must also be ordered, Part #: 38-110836)

- Collect dust into a barrel to prevent it from blowing around the work site, grain truck or cart



Dust Collector 45G Barrel Option

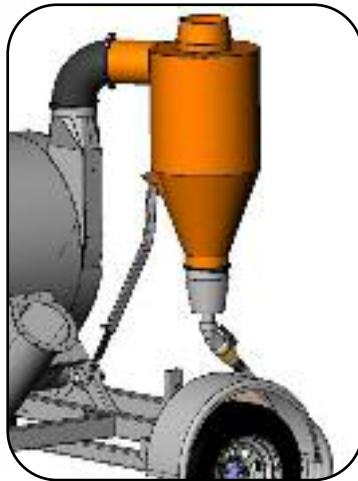
Kit Part #: 38-110836

- Hook onto the bottom of the dust collector, and store up to 45 US gallons of material

GrainVac 2700 Dust Collector

Kit Part #: 38-111655

Includes 45 US gallon barrel option # 38-111656



- Collect dust into a barrel to prevent it from blowing around the work site, grain truck or cart

GrainVac 3700 Dust Collector

Kit Part #: 55-111599



Also works with 3700 Diesel

- Built-in cannister collects dust to prevent it from blowing around the work site, grain truck or cart

Re-Direct Your Exhaust Model: 2500



The further
away you have your
exhaust hose, the lower
the noise level at
your work area

90° Exhaust Conversion

Kit Part Number: 38-110544

- Direct the dust, debris, and noise away from your work area

Choose From a Combination of Hose Options below:

- A) **8" x 81" Stainless Steel Pipe (complete)** - Part #: 38-110535 & **8" x 8' Aluminum Pipe (complete)** - Part #: 55-111079
(order one each, see page 10)
- B) **8" x 8' Basketweave Rubber Hose (complete)** - Part #: 38-111393
(see page 9)
- C) **8" Lay Flat Hose Cover** - Part #: 3420-08-0015
(sold by the foot, see page 7)

Exhaust Extension Kits

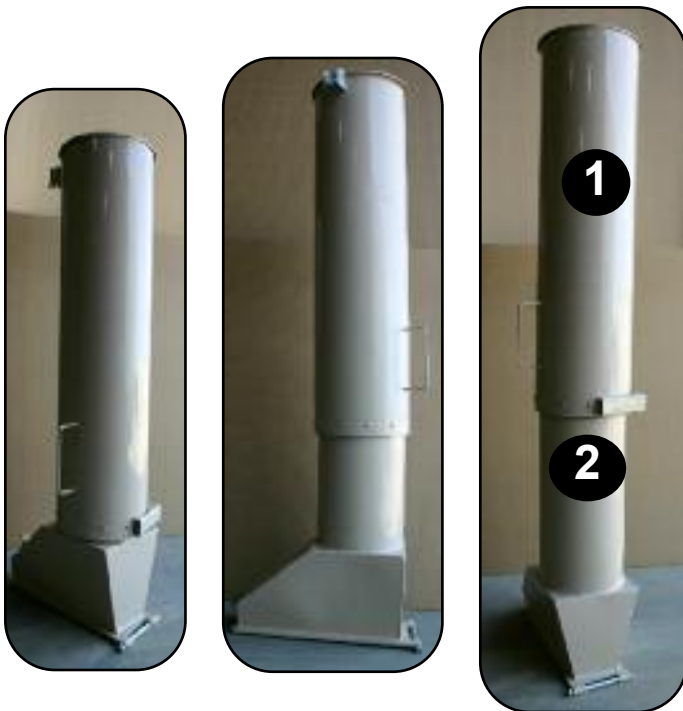
Model: 2500



Straight Exhaust Conversion Kit

Part #: 38-110545

- Used on the exhaust of the GrainVac 2500
- 8" hose or pipe needed to redirect the dust straight up (page 11)



Exhaust Extension Kits

1) Part #: 38-111297

2) Part # 38-111299

- Extends fully to 6' in height

Re-Direct Your Exhaust Models: 2700* & 3700



* for optimum redirection angle for 2700 GrainVac,
order: (2) 45° Elbows, (3) Gaskets and (3) Pull Rings

45° Exhaust Elbow - Part #: 55-111121 (see page 23)

8" Exhaust Adapter - Part #: 55-111207 (see page 23)

8" U-Shaped Gasket - Part #: 2391-00-0004 (see page 23)

8" Pull Ring/clamp - Part #: 2391-00-0002 (see page 23)



**The further
away you have the exhaust
hose, the lower the noise
level at your work area.**

8" Hose Options:

A) Stainless Steel Flex Pipe (**complete**) - Part #: 38-110535 (see page 11)

& Aluminum Pipe (**complete**) - Part #: 55-111079 (see page 11)

B) Basketweave Hose (**complete**) - Part #: 38-111393 (see page 10)

C) Lay Flat Hose Cover (**sold by the foot**) - Part #: 3420-08-0015 (see page 7)

Note: Standard hoses on the Rem 2700 GrainVac are 7".

Standard hoses on the Rem 3700 GrainVac are 8".

Clamps & Elbows Models: 2700 & 3700**8" Pull Ring/Clamp**

Part #: 2391-00-0002

- Used to join exhaust components

**8" U-shaped Gasket**

Part #: 2391-00-0004

- Use with the Pull Ring style clamp to ensure firm fit

**8" x 11" Exhaust Adapter**

Part #: 55-111207

- Clamp an 8" hose onto this adapter for re-directing exhaust onto the ground

**8"- 45° Exhaust Elbow**

Part #: 55-111121

- Used to redirect exhaust

**8"- 90° Exhaust Elbow**

Part #: 55-111206

- Used to redirect exhaust

Stub Unloading Auger Kits



- Handy in tight quarters or for specialized handling

Models: 1026A & 1026B

Kit Part #: 38-104955

Model: 2100 (Spring Assist)

Kit Part #: 38-108990

Model: 2100 (Hydraulic Fold)

Kit Part #: 38-108989

Model: 2500

Kit Part #: 38-110541

Note: Stub Unloader kits and Transport Light kits are **special order**.

Transport Light Kit

Models: 2100 & 2500 Kit Part #: 38-108976



Model: 3700 Kit Part #: 55-111227





Rem



Rem





HORSE SENSE

Getting the best out of your Rem GrainVac involves just plain common sense and the experience you will gain from playing with your machine. To save you some time, here are some insider tips, straight from the horse's mouth:

- 1) Short** - Position the GrainVac as close to the source of the material as possible. Keep the length of piping short. The shorter the distance, the less piping friction and the greater the GrainVac capacity.
- 2) Smooth** – Smooth pipes (interior walls) reduce resistance to air and grain movement. Where possible, use aluminum pipes first, then stainless steel flex pipes. Last of all use rubber or durathane (for cleanup only) as this convenient lightweight hose is not at all smooth.
- 3) Straight** – A ninety degree bend in the piping is the equivalent of adding twenty feet or more of straight piping. Reduce bends in the piping as much as possible, and keep the grain moving straight.
- 4) Slope** – If possible, lay out the piping as straight as possible over the length of run. “Hills and Valleys” in piping creates resistance to material flow. Grain does not move uphill easily, so remember to minimize the slopes.
- 5) Seal** – Air leaks in the GrainVac reduce capacity at the nozzle end of the pipe. Keep all neoprene foam seals (on the auger flanges, body doors and ports) in good condition. Keep the auger clean-out door and hose clamps adjusted snug in order to ensure a good air seal.
- 6) Suction** – Grain moves only when air moves (no flow, no go). You may be required to retract the hose end or nozzle slightly from the grain pile, meter the grain into the nozzle, or pull the nozzle air slide open to ensure no loss of suction.
- 7) Speed** – Rem GrainVac's are designed to run with optimum suction when your power unit PTO is at maximum speed of 1000 rpm. Lighter material, however, may require you to run at a slower rpm. Using Rem's standard tachometer/hour meter, with just a glance you will always know your GrainVac speed.
- 8) Sweep** – Don't work so hard. Once you are in the bin use the light aluminum floor sweep. First, draw down the large piles. Then, in a pattern of semicircular “sweeps” across the floor, add hose lengths as required to increase your sweeping diameter. With the Rem GrainVac you will make every job a clean sweep.
- 9) Sparkle** – To ensure good airflow keep the blower blades, inlet, exhaust piping, flying and drum screen clean and free of buildup. Remove debris and make the interior components sparkle.

GrainVac

Options Guide

Need parts? Contact your dealer

Rem

rementerprisesinc.com

Rem Enterprises Inc.
2180 Oman Drive (P.O. Box 1207)
Swift Current, SK, Canada
S9H 3X4

toll free: 1.800.667.7420
phone: 1.306.773.0644
fax: 1.306.773.1188
email: remsales@rem.sk.ca