

---

*Rem 3700*

*GrainVac*

*PARTS CATALOGUE*

---

## **INTRODUCTION**

This parts manual is set up to show all the service parts for Rem 3700 GrainVac.

The information required when ordering parts is as follows:

- part number
- description
- number of pieces required

In producing this parts catalogue every effort has been made to ensure accuracy. If you discover an error, please inform us.

**Phone: 1-800-667-7420**

**In Canada:**

Rem Enterprises Inc.  
Box 1207 Swift Current, SK S9H 3X4  
Ph: (306) 773-0644, Fax: (306) 773-1188  
Email: remsales@rem.sk.ca

---

**US Shipping Office located in Shenandoah, IA**

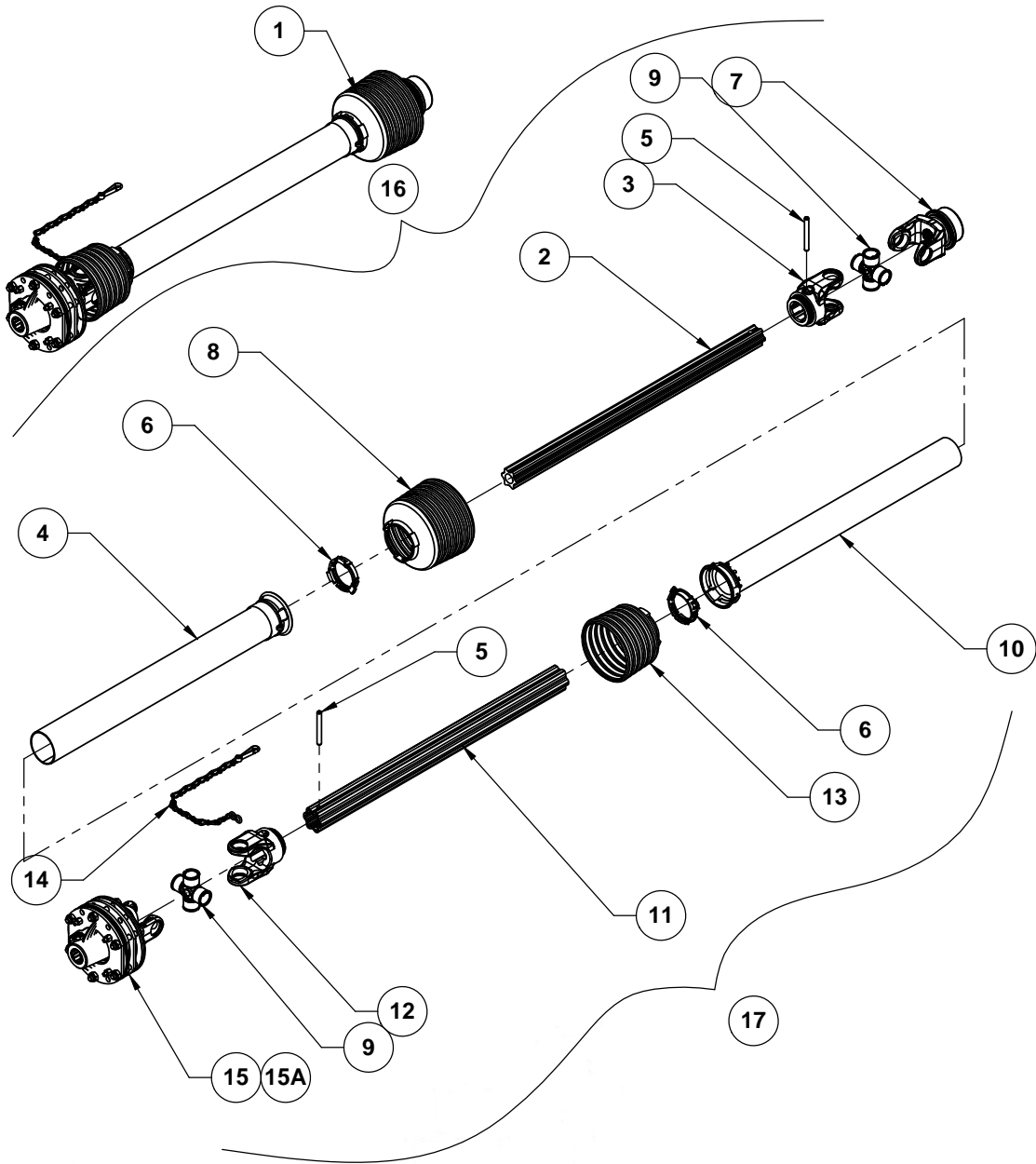
---

# REM 3700 GRAIN VAC PARTS

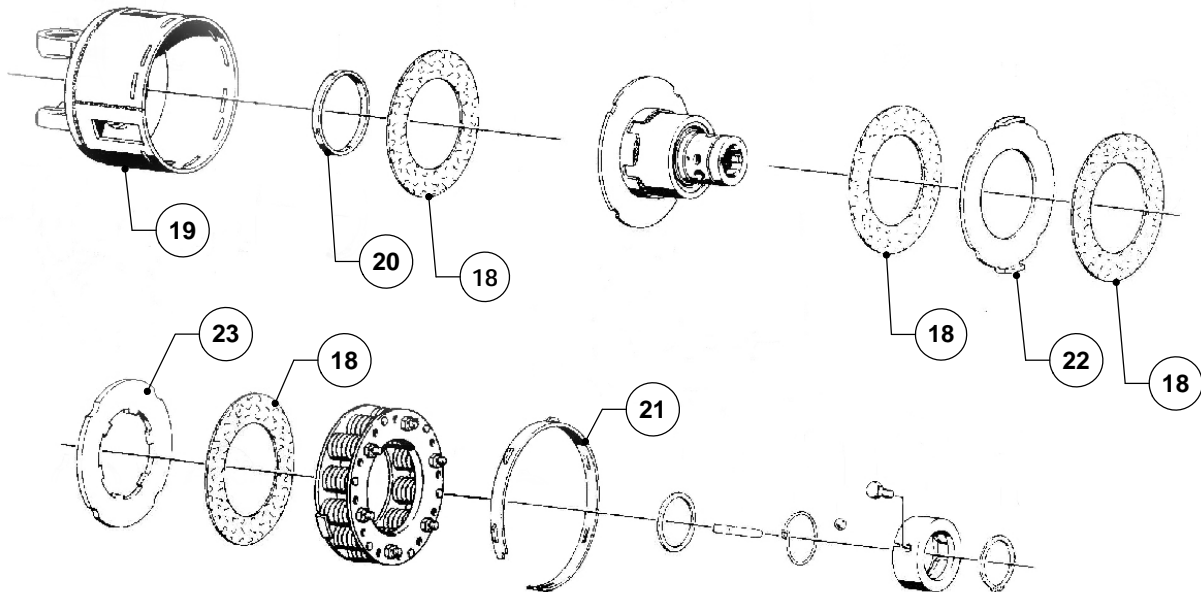
## TABLE OF CONTENTS

FEB 16/11

PRODUCT ILLUSTRATIONS	PAGE
PTO Shaft	1-1A
Auger & Main Drive Components	2-2A
3700 Frame Assembly	3-3A
3700 Body – Inlet Side	4-4A
3700 Body – Auger Side	5-5A
3700 Hose Rack Trays	5-1-5-1A
3700 Rotor Assembly/3700 Idler Assembly – SERIAL BREAK UP TO 1090	6-6A
3700 Rotor Assembly/3700 Idler Assembly – SERIAL BREAK 1091+	6-1-6-1A
PTO Drive Section Assembly – SERIAL # UP TO 1305	7-7A
PTO Drive Section Assembly – SERIAL # 1306+	7-1-7-1A
3700 Auger Drive Section Assembly	8-8A
3700 Inlet and Throttle Assembly	9-9A
3700 Drum Assembly	10-10A
3700 Lower Auger Assembly	11-11A
3700 Middle Auger Assembly	12-12A
3700 Upper Auger Assembly – SERIAL BREAK UP TO 1305	13-13A
3700 Upper Auger Assembly – SERIAL BREAK 1306+	13-1-13-1A
3700 Hydraulic Assembly	14-14A
3700 Auger Hinging Assembly	15-15A
3700 Standard Hoses	16-16A
3700 Guard Assembly	17-17A
3700 Drum Brush Kit	18-18A
3700 Light Kit	19-19A
3700 Hose Options	20-20A
3700 Hose Options	21-21A
3700 Exhaust Options	22-22A
3700 Dust Collector	23-23A



PARTS BREAKDOWN FOR 7100-39-7419



REVISED	NO	PART NUMBER	DESCRIPTION	QTY	SERIAL NUMBER
	1	7100-39-6684	PTO-3700 GV GKN 1000 PTO	1	
	2	7100-33-0951	INNER PROFILE-S4 3700 PTO	1	
	3	7100-09-7133	INBOARD YOKE-S4 3700 PTO	1	
	4	7100-01-2091	OUT. SHIELD TUBE OVAL	1	
	5	7100-30-4046	SPRING PIN 10 X 90	2	
	6	7100-08-7276	BEARING RING SC25	2	
	7	7100-36-2434	YOKE 1 3/4" - 20 SPL ASG	1	
	8	7100-36-5387	SHIELD CONE 7 RIB	1	
	9	7100-31-2209	CROSS & BEARING KIT	2	
	10	7100-09-4575	INN. SHIELD TUBE RND	1	
	11	7100-33-0952	OUTER PROFILE-S5 3700 PTO	1	
	12	7100-09-7140	INBOARD YOKE-S5 3700 PTO	1	
	13	7100-36-5386	SC-CONE*25* 6RIB - 365386	1	
	14	7100-04-4321	SAFETY CHAIN	1	
NOV 30/07	15	7100-39-7419	3700 PTO CLUTCH ASSEMBLY (FK96/4R OVERUN/ FRICTION DISC CLUTCH)	1	1091+
JAN 17/08	15A	7100-39-6664	FRICTION CLUTCH ASSY - 3700	1	0 - 1090
OCT 06/10	16	55-112515	TRACTOR END 1/2SHAFT-3700 (INCL. 2 - 9)		
OCT 06/10	17	55-112516	IMPLEMENT END 1/2SHAFT-3700 (INCL. 5, 6, 9 - 15)		

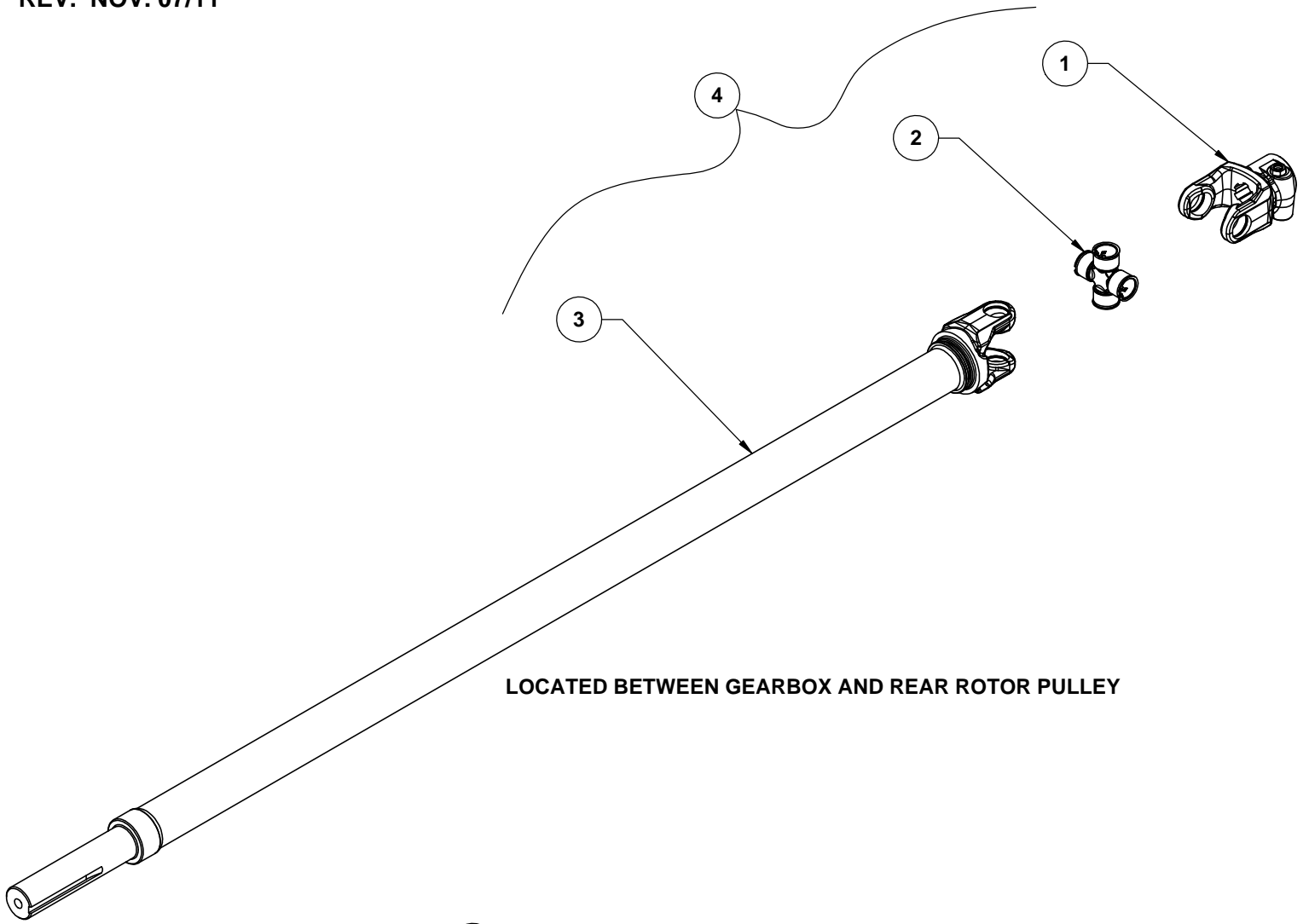
## CLUTCH PARTS BREAKDOWN (7100-39-7419)

JAN 17/08	18	7100-17-7009	FRICTION DISC - #177009 FOR A FK96/4R OVERRUNNING CLUTCH ASSY (7100-79-7419)	4	1091+
APR 09/10	19	7100-16-1386	CLUTCH HOUSING-GKN#161386	1	1091+
APR 09/10	20	7100-36-7718	RING-GKN#367718	1	1091+
APR 09/10	21	7100-36-7720	SETTING RING-GKN#367220	1	1091+
APR 09/10	22	7100-36-7726	DRIVE PLATE-GKN#367726	1	1091+
APR 09/10	23	7100-36-7725	DRIVE PLATE-GKN#367725	1	1091+

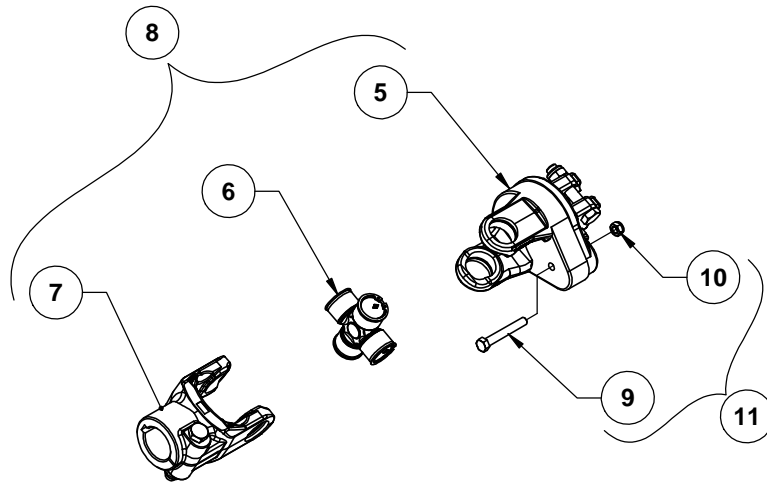
## CLUTCH PARTS BREAKDOWN (7100-39-6664)

JAN 17/08		7100-04-2480	FRICTION DISC - K92 #168556 FOR CLUTCH ASSY (7100-39-6664)	4	0 - 1090
JAN 17/08		7100-12-5544	BELLEVILLE SPRING - #125544 FOR CLUTCH ASSY (7100-39-6664)	2	0 - 1090

3700 AUGER & MAIN DRIVE COMPONENTS



LOCATED BETWEEN GEARBOX AND REAR ROTOR PULLEY

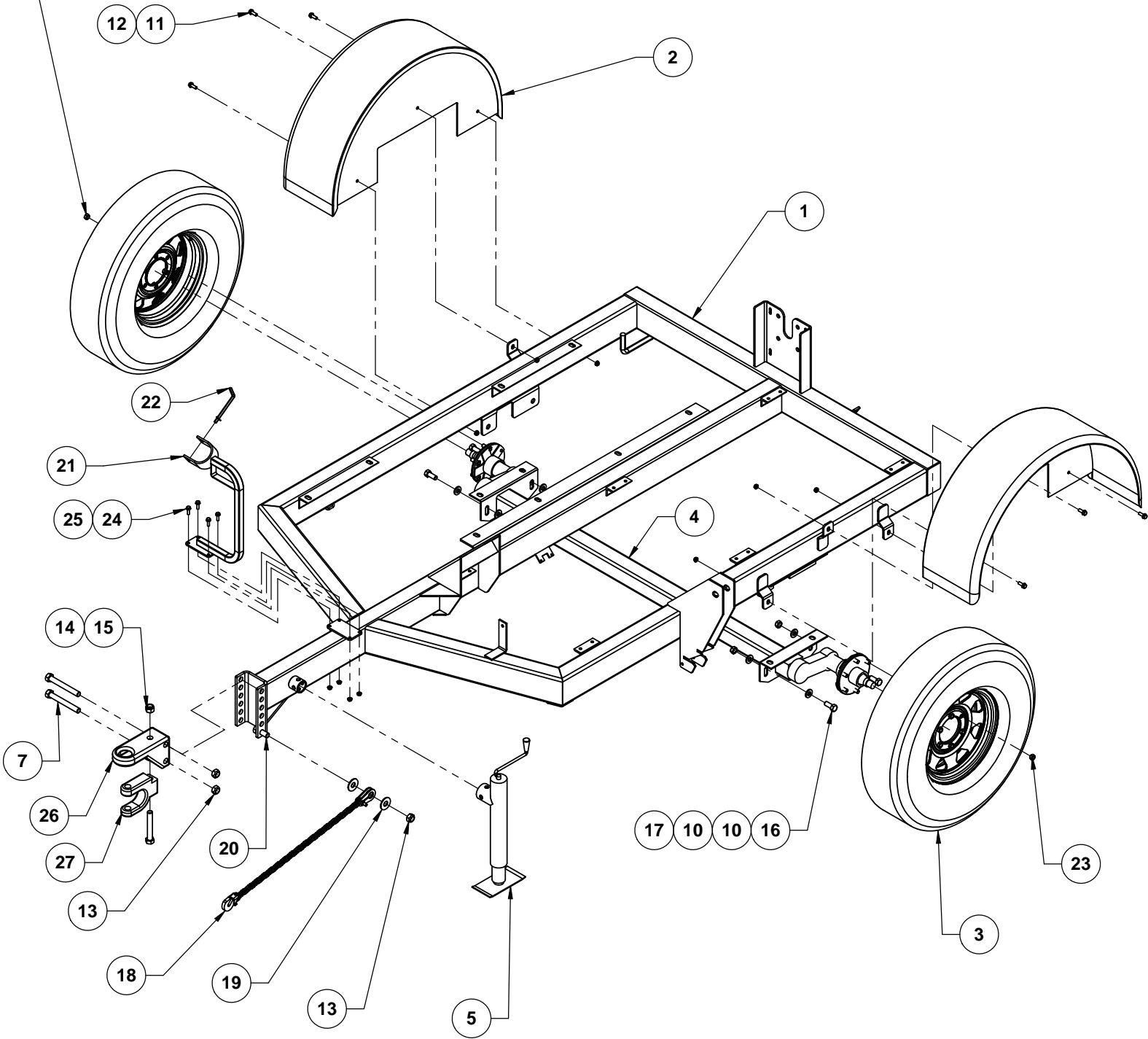


LOCATED BETWEEN GEARBOX  
AND AUGER DRIVE STUB SHAFT

REVISED	NO	PART NUMBER	DESCRIPTION	QTY	SERIAL NUMBER
	1	7100-19-5017	YOKE-1 3/8" 6 SPLINE CC	1	
	2	7100-18-8105	CROSS & BRG KIT-3700 GV	1	
	3	7100-39-6665	YOKE,TUBE& STUB WELD-3700	1	
	4	7100-39-6662	CENTER SHAFT-3700 GV GKN (INCLUDES 1 - 3)		
	5	7100-32-4819	SHEARBOLT CLUTCH-3700	1	
	6	7100-31-2410	CROSS & BEARING KIT	1	
	7	7100-32-9038	YOKE - 1 1/2" RB I.C-3700	1	
NOV. 07/11	8	7100-39-6663	AUGER DRIVE-3700 GV GKN (INCLUDES 5 - 7)	1	
NOV. 07/11	9	4001M22C0860	BOLT - HEX M8-1.25 X 60 MM GR 8.8 PLATED	1	
NOV. 07/11	10	4049M13C0808	NUT - HEX NYLON LOCK M8-1.25 GR 8.8	1	
NOV. 07/11	11	55-111593	SHEAR BOLT KIT ( INCL. 5 EA OF 9 & 10)	1	

FRAME ASSEMBLY

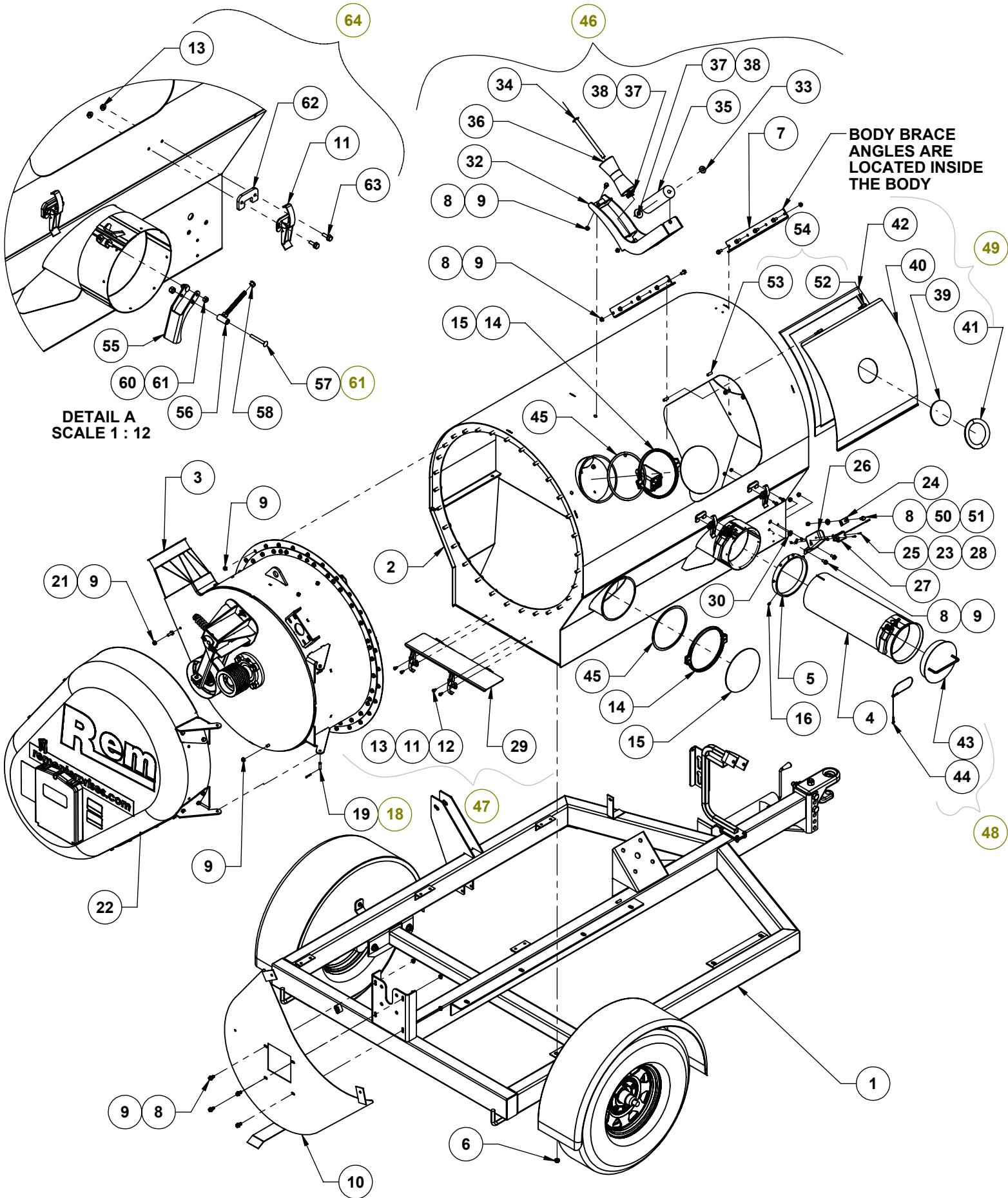
WHEEL NUTS PT#4060-F2-0500  
1/2" UNF PLATED WHEEL NUTS  
COME SUPPLIED WITH TORFLEX AXLE.





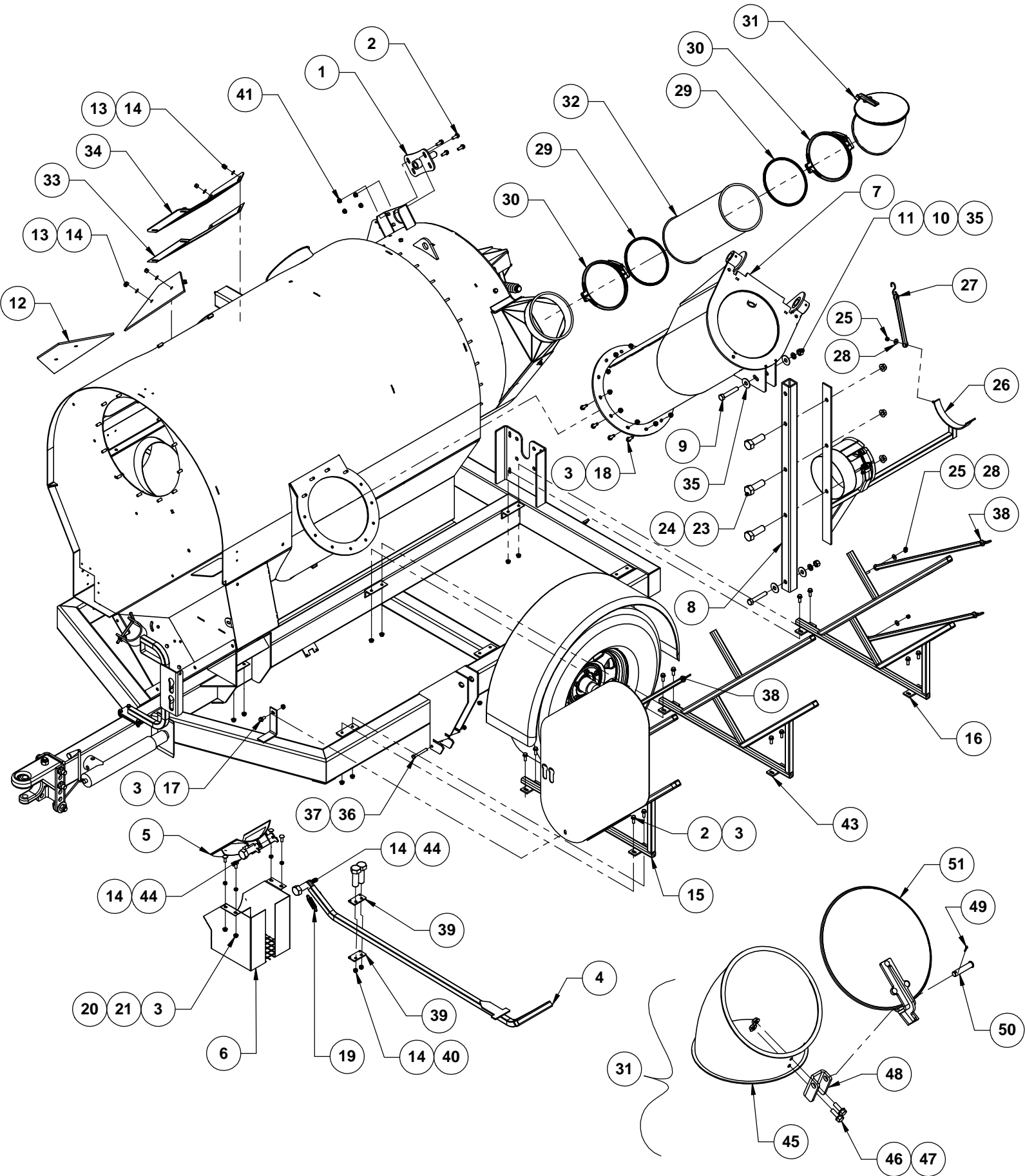
REVISED	NO	PART NUMBER	DESCRIPTION	QTY	SERIAL NUMBER
	1	55-110890	FRAME WELDMENT	1	
	2	55-110943	FENDER - PAINTED	2	
	3	3910-43-0018	TIRE ASSM E48-166DW-235BD	2	
	4	7417-01-0003	AXLE ASSY - TORFLEX 6000#	1	
	5	0485-00-0012	JACK - SCREW TOPWIND 5000#	1	
	6				
	7	4001-32C3748	BOLT-HEX 3/4 X 6 UNC GR.8	2	
	8				
	9				
FEB 04/09	10	5011-00-0003	WASHER (21/32 ID X 1 5/16 OD)	8	
	11	4024-22C2502	BOLT-WHIZ 3/8 X 1 UNC GR.5	6	
	12	4057-02C0235	NUT-FLG UNI-TRQ 3/8 UNC	6	
	13	4055-02C0305	NUT-LOCK UNI-TRQ 3/4 UNC	3	
	14	4001-32C7505	BLT - HEX 3/4 X 5 GR. 8	1	
	15	4049-23C0305	NUT-NY LOCK 3/4 UNC GR. 8	1	
	16	4001-22F3288	BOLT-HEX 5/8 X 1 1/2 UNF	4	
	17	4055-02F0280	NUT-LOCK UNI-TRQ 5/8 UNF	4	
FEB 14/07	18	6187-00-0004	SAFTEY CHAIN 11,000 LB	1	
	19	5009-02-0750	WASHER - FLAT 3/4 DIA USS	2	
	20	4001-32C3684	BOLT-HEX 3/4 X 2 UNC GR. 8	1	
DEC 02/10	21	55-112562-1	HOLDER COMPLETE	1	
	22	6744-00-0001	BENT PIN	1	
	23	4060-F2-0500	WHEEL NUT 1/2 UNF PLTD	12	
	24	4024-22C2352	BOLT-WHIZ 5/16 X 1 UNC GR.5	4	
	25	4046-13C0220	NUT-WHIZ, FLG 5/16 UNC GR.5	4	
	26	2190-00-0008	BASE HITCH	1	
	27	2190-00-0007	OPTIONAL CLEVIS PPI-206VR	1	
	28	55-111090	3700 FRAME SUB ASSEMBLY (INCLUDES 1 - 27)		
APR 06/10	29	7415-00-0041	3700 WHEEL BEARING KIT - NOT SHOWN - INCLUDES GREASE SEAL, INNER BEARING, INNER RACE, OUTER RACE, OUTER BEARING, SPINDLE D-WASHER , CASTELLATED SPINDLE NUT, COTTER PIN, CLAMSHELL, GREASE CAP		

3700 BODY - INLET SIDE



REVISED	NO	PART NUMBER	DESCRIPTION	QTY	SERIAL NUMBER
	1	55-111090	FRAME SUB ASSEMBLY	1	
	2	55-110950	3700 COMPLETE BODY	1	
	3	55-111010	SPACED TRIPLE ROTOR ASSY	1	
DEC 09/10	4	55-112574	INLET TELESCOPE ASSM	1	1306 +
DEC 09/10	5	3702-20-0020	3700 - SEAL CUT RING	1	1306 +
	6	4057-02C0500	NUT-FLG UNI-TRQ 1/2 UNC	8	
	7	2430-01-0594	BODY BRACE ANGLE	2	
	8	4024-22C2494	BOLT-WHIZ 3/8 X 3/4 UNC GR.5	17	
JAN. 20/10	9	4046-13C0235	NUT-WHIZ FLG 3/8 UNC GR.5	48	
	10	55-111180	REAR GUARD BACK	1	
	11	5190-00-0002	TENSION LATCH CLAMP	4	
DEC 09/10	12	4024-22C2140	BOLT-WHIZ 1/4 X 1/2 UNC GR.5	4	
	13	4046-13C0200	NUT-WHIZ FLG 1/4 UNC GR.5	4	
	14	2391-00-0001	PULL RING 224MM	2	
	15	55-111122	CHAMBER PLATE COMPLETE	2	
DEC 09/10	16	4890-822A327	SCREW - TEKS #8-18 UN X 3/8"	8	1306 +
	17	2391-00-0002	PULL RING 200MM	1	
NOV 17/10	18	6730-00-2503	PIN - CLEVIS 3/8 X 1 1/16	2	
NOV 17/10	19	6738-00-0105	PIN - HITCH CLIP 3/32 X 1 3/16	2	
	21	4024-22C2502	BOLT-WHIZ 3/8 X 1 UNC GR.5	1	
	22	55-111169	3700 REAR GUARD ASSY	1	
	23	5016-00-0500	BONDED SEALING WASHER	4	
	24	55-111129	SENSOR MOUNT BRACKET PAINTED	1	
	25	4880-15F2275	SCREW-MACHINE #6-32 X 3/4	2	
	26	55-111112	MOUNT BRACKET WELD	1	
	27	8500-00-0001	TACH-SENDEC HOUR METER	1	
	28	4042-02F0632	NUT-MACHINE #6-32	2	
	29	55-111168	DUST CHAMBER DOOR	1	
	30	3330-00-0009	RUBBER GROMMET-9600K65	1	
	31	2391-00-0004	U-SHAPED GASKET 200MM	1	
	32	55-111031	AUGER GUIDE PAINTED	1	
	33	55-111034	11 INCH PIN COMPLETE	1	
	34	55-111035	9INCH PIN COMPLETE	1	
	35	3916-00-0001	SIDE GUIDE RUBBER ROLLER	1	
	36	3916-00-0002	8" V KEEL ROLLER	1	
	37	5009-02-0625	WASHER-FLAT 5/8" DIA. USS	2	
	38	6732-00-0018	PIN COTTER 1/8 X 1 1/4"	2	
	39	0079-00-0005	GLASS-WINDOW-4 7/8" DIA 1/4" THICK	1	
	40	55-110972	INSPECTION DOOR PAINT	1	
MAR. 19/08	41	55-111636	INSPECTION DOOR RUBBER	1	
	42	3890-00-0004	1/4 X 1 1/2 WEATHERSTRIPPING	1	
	43	55-111143	8" PLUG INLET WELD	1	
	44	6745-02-0018	LANYARD 12"	1	
FEB 09/07	45	3890-00-0002	NEOPRENE 1/8 X 3/8	4.71FT	
JUL 10/07	46	55-110990	AUGER GUIDE ASSEMBLY (INCL. 32-38)	1	
JUL 10/07	47	55-111167	DUST CHAMBER DOOR ASSY (INCL. 11-13, 29)	1	
JUL 10/07	48	55-111143	8" PLUG INLET ASSEMBLY (INCL. 43-44)	1	
JUL 10/07	49	55-111086	INSPECTION DOOR ASSEMBLY (INCL. 39-42)	1	
JUL 10/07	50	5009-02-0375	WASHER-FLAT 3/8" DIA. USS	1	
JUL 10/07	51	4049-13C0235	NUT NY-LOCK 3/8" UNC GR.5	1	
MAR 04/08	52	38-109379	FEMALE HINGE	2	
MAR 04/08	53	38-109380	MALE HINGE	2	
NOV 17/10	54	55-111634	WELD-ON HINGE REPLACEMENT KIT (INCL. 1 OF #52 & #53)		
APR 07/11	55	55-112665-1	HOSE CLAMP HANDLE - PAINT	1	114100 +
DEC 09/10	56	38-110740-99	HOSE CLAMP ADJUSTMENT	1	1306 +
APR 07/11	57	4003-22C2332	BOLT-CARRIAGE 1/4-20 UNC X 2 GR 5	1	114100 +
DEC 09/10	58	4049-13C0220	NUT-NY LOCK 5/16 UNC GR.5	1	1306 +
APR 07/11	59				
APR 07/11	60	4003-22C2325	BOLT - CARRIAGE 1/4-20 UNC X 3/4 GR 5	2	114100 +
APR 07/11	61	4049-13C0200	NUT - HEX NYLON LOCK 1/4-20 UNC GR 5	3	114100 +
DEC 09/10	62	3703-04-0063	3700 CLAMP SPACER	2	1306 +
DEC 09/10	63	4024-22C2148	BOLT - FLANGE 1/4-20 UNC X 3/4 GR 5	4	1306 +
DEC 22/10	64	55-112592	INSPECTION DOOR CLAMP/SPACER KIT (INCL. 11, 13, 62 & 63)		

3700 BODY - AUGER SIDE



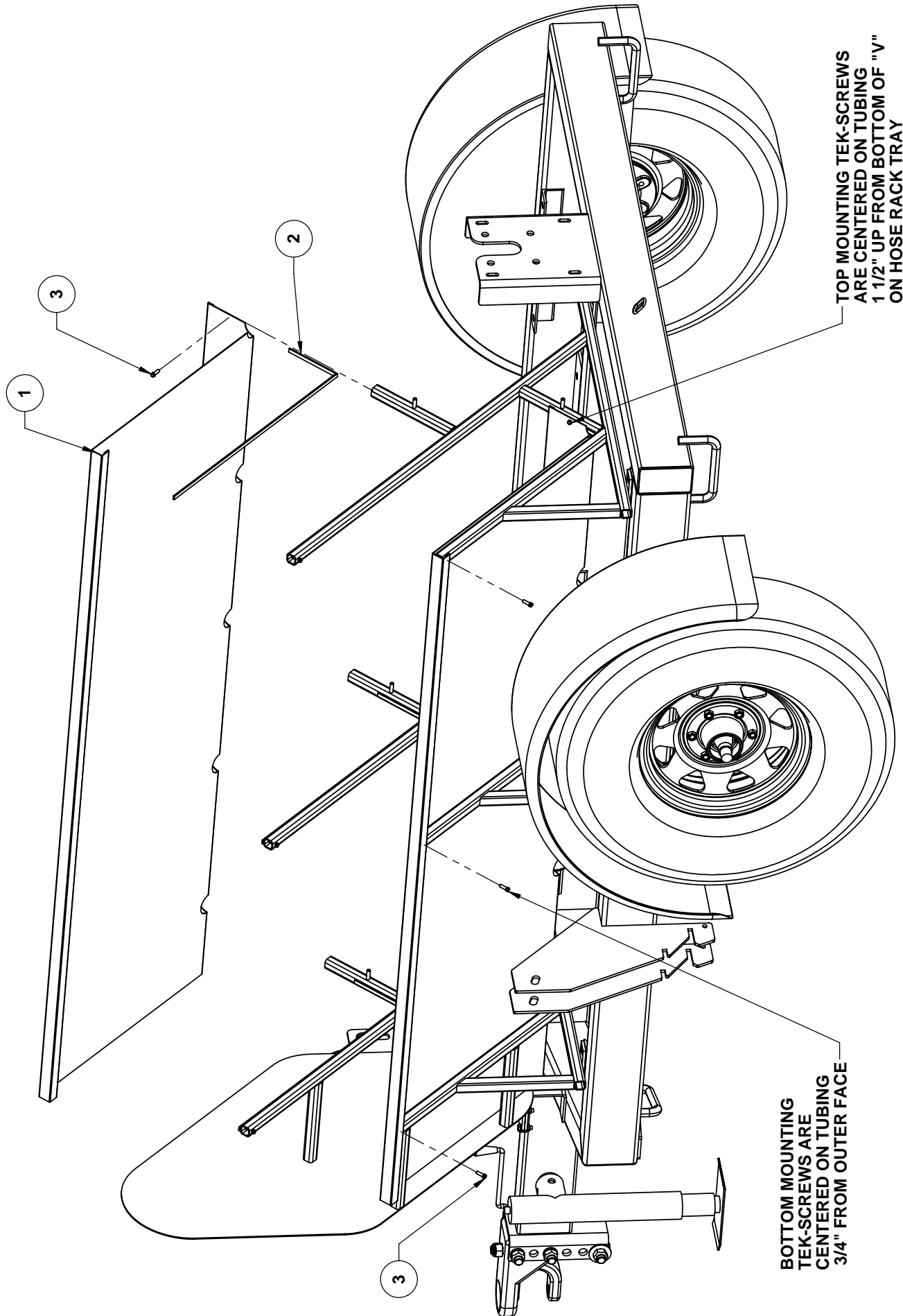
## 3700 BODY - AUGER SIDE

3700 - PAGE 5A

REV. MAY 02/11

REVISED	NO	PART NUMBER	DESCRIPTION	QTY	SERIAL NUMBER
	1	55-110988	AUGER LATCH COMPLETE	1	
	2	4024-22C2502	BOLT-WHIZ 3/8 X 1 UNC GR.5	16	
	3	4046-13C0235	NUT-WHIZ FLG 3/8 UNC GR.5	29	
	4	55-110956	ROD-PAINTED	1	
	5	55-110960	DOOR COMPLETE	1	
	6	55-110965	GUARD-PAINTED	1	
	7	55-110844	LOWER AUGER PAINTED	1	
	8	55-110976	AUGER SUPPORT COMPLETE	1	
	9	4001-22C3328	BLT-HX 5/8 X 3 1/2 GR 5	2	
	10	5000-03-0625	WASHER-LOCK 5/8 DIA PLT	2	
	11	4030-21C0280	NUT-HEX 5/8 UNC PLTD UNC	2	
	12	3703-04-0047	SLOPE SHEET DEFLECTOR	2	
	13	5012-02-0375	WASHER-FLAT 3/8 DIA SAE	8	
AUG 10/07	14	4049-13C0235	NUT-NY LOCK 3/8 UNC GR.5	13	
	15	55-111105	FRONT HOSE RACK GUARD	1	
	16	55-111402	REAR HOSE RACK	1	
	17	4024-22C2494	BOLT-WHIZ 3/8 X 3/4 UNC GR.5	1	
MAY 02/07	18	4024-22C2510	BOLT-WHIZ 3/8 X 1 1/4 UNC GR.5	8	
	19	6777-02-0054	AUGER HANDLE SPRING	2	
	20	4003-22C2502	BLT-CARR 3/8 X1 SHORT GR5	4	
	21	4033-12C0235	NUT-JAM HEX 3/8 GR.5 UNC	4	
	23	4001-22C3320	BLT-HX 5/8 X 3 GR 5	3	
	24	4046-13C0625	NUT-WHIZ FLG 5/8 UNC GR.5	3	
FEB 16/11	25	4049-13C0220	NUT-NY LOCK 5/16 UNC GR.5	5	
FEB 16/11	26	55-111872	ACCESSORY BRACKET WELDMENT	1	1246+
FEB 16/11	27	3900-82-5146	TIE DOWN RUBBER	1	
FEB 16/11	28	5009-02-0313	WASHER-FLAT 5/16 DIA USS	5	
	29	2391-00-0004	U-SHAPED GASKET 200MM	2	
	30	2391-00-0002	PULL RING 200MM	2	
MAR 31/09	31	55-111821	EXHAUST ASSEMBLY J TUBE 3700	1	1246+
	32	55-111120	EXHAUST TUBE PAINTED	1	
	33	2430-01-0619	AUGER FLYTING SCREEN	1	
	34	2430-01-0604	AUGER FLYTING SCREEN RETAINER	1	
	35	5009-02-0625	WASHER-FLAT 5/8" DIA. USS	4	
	36	4001-22C2550	BOLT HEX 3/8 X 3 GR 5	1	
	37	4055-02C0235	NUT-LOCK UNI-TRQ 3/8 UNC	1	
MAY 02/11	38	3900-82-5160	TIEDOWN RUBBER - TARP STRAP 31"	3	
FEB 22/07	39	55-111294	TENSION PLATE BLACK	2	
FEB 22/07	40	4001-22C2534	BLT-HX 3/8 X 2 GR.5	2	
	41	4057-02C0235	NUT-FLG UNI-TRQ 3/8 UNC	4	
	42				
	43	55-111401	MIDDLE HOSE RACK	1	
AUG 10/07	44	4001-22C2510	BOLT-HEX 3/8 X 1 1/4 UNC GR.5	3	
MAR 31/09	45	55-111820	J TUBE 3700	1	1246+
MAR 31/09	46	4049-13C0028	NUT-NY LOCK #10-24 UNC GR.5	2	1246+
MAR 31/09	47	4024-22C1024	BOLT - WHIZ #10-24 3/4"	2	1246+
MAR 31/09	48	38-111822	J TUBE HINGE PAINTED	1	1246+
MAR 31/09	49	6738-00-1640	HITCH PIN - SN #B-1640	1	1246+
MAR 31/09	50	6730-00-1721	CLEVIS-1/4" X 1-17/32"-SN #B-1721	1	1246+
MAR 31/09	51	38-111793	LID ASSEMBLY	1	1246+

# HOSE RACK TRAYS



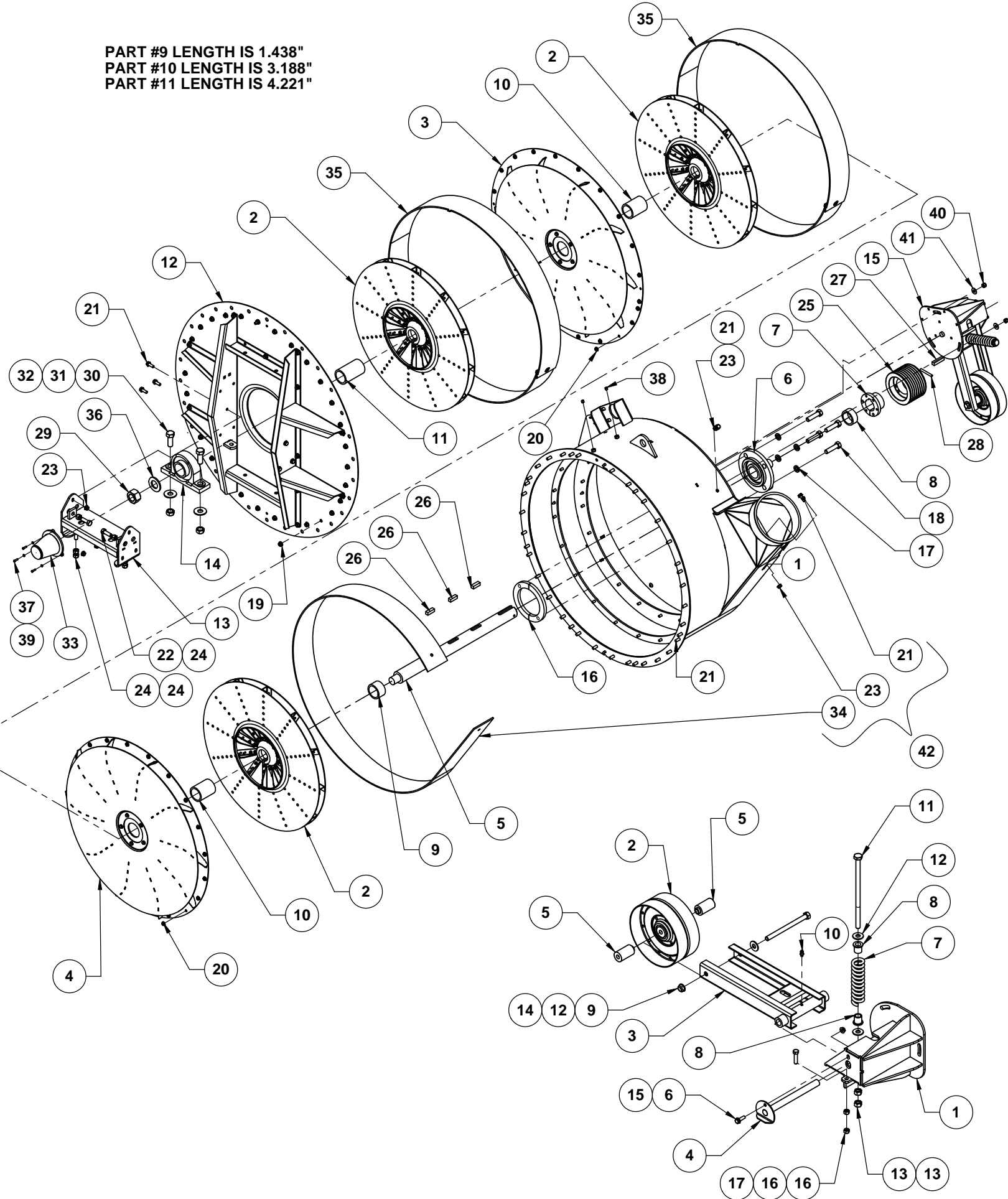
**HOSE RACK TRAYS**

REVISED	NO	PART NUMBER	DESCRIPTION	QTY	SERIAL NUMBER
	1	55-111400-1	HOSE TRAY - BLACK	2	
	2	3890-00-0002	1/8 X 3/8 NEOPRENE	14.7'	
	3	4890-50-8008	TEK-SCREWS 1/4 X 3/4	12	

PART #2 CONSISTS OF 6PCS @ 2.45'

ROTOR AND IDLER ASSEMBLY  
SERIAL BREAK UP TO 1130

PART #9 LENGTH IS 1.438"  
PART #10 LENGTH IS 3.188"  
PART #11 LENGTH IS 4.221"





**3700 ROTOR ASSEMBLY**  
SERIAL BREAK UP TO 1130

3700 - PAGE 6A  
REV. DEC 02/11

REVISED	NO	PART NUMBER	DESCRIPTION	QTY	SERIAL NUMBER
	1	55-111008	3700 ROTOR HOUSING	1	
	2	55-111005	3700 ROTOR - BALANCING	3	
	3	55-111164	STATOR ASSEMBLY - FRONT	1	
	4	55-111163	STATOR ASSEMBLY - REAR	1	
	5	55-111016	TRIPLE ROTOR SHAFT	1	
	6	7228-06-1200	BRG UNIT UCFC211-200D1	1	
	7	7001-05-0200	BUSHING SK 2DIA BORE	1	
	8	55-111017	REAR ROTOR SPACER - 1"	1	
	9	55-111018	BEARING ROTOR SPACER - 1.438"	1	
	10	55-111019	ROTOR SPACER - 3.188"	2	
	11	55-111020	FRONT ROTOR SPACER - 4.221"	1	
	12	55-111021	INLET & H - ASSEMBLY	1	
	13	55-111023	BEARING ADJUSTOR - WELD	1	
	14	7226-06-1200	BRG-UNIT C-UCP211-200D1	1	
	15	55-111030	3700 IDLER ASSEMBLY	1	
	16	55-111162	TAPPED BEARING PLATE	2	
	17	5000-03-0625	WASHER-LOCK 5/8 DIA PLT	4	
	18	4001-22C3312	BLT-HX 5/8 X 2 1/2 GR 5	4	
MAY 08/07	19	4057-02C0235	NUT-LOCK UNI-TRQ 3/8 UNC	38	
	20	4057-02C0313	NUT-LOCK UNI-TRQ 5/16 UNC	40	
	21	4024-22C2502	BOLT-WHIZ 3/8 X 1 UNC GR.5	46	
	22	4001-22C2904	BLT-HX 1/2 X 1 1/2 GR 5	2	
	23	4046-13C0235	NUT-WHIZ, FLG 3/8 UNC GR.5	8	
	24	4030-21C0260	NUT-HEX 1/2 UNC PLTD GR.5	6	
	25	55-111141	SHEAVE 3V 8 GROOVE 5.60"	1	
	26	48-106675	KEY - 1/2 x 1/2 x 1 1/2	3	
	27	51-108038	KEY 1/2 X 1/2 X 2 1/4	1	
AUG 11/11	28	23-202182-0	ROTOR LOCKING PIN	1	
	29	4030-21F1250	NUT-HEX 1 1/4" UNF GR. 5	1	
	30	4001-22C3684	BOLT-HEX 3/4 x 2 UNC GR.5 PLTD	2	
	31	5009-02-0750	WASHER - FLAT 3/4 DIA USS	2	
	32	4055-02C0305	NUT-LOCK UNI-TRQ 3/4 UNC	2	
	33	55-111070	SHAFT END CAP WELD	1	
	34	55-111178	REAR ROTOR WEAR WRAP	1	
	35	55-111183	ROTOR WEAR WRAP WELD	2	
MAY 08/07	36	5013-01-1250	WASHER-XHVV 1-1/4 - 3/16"THICK	1	
APR 26/07	37	4001M21C0516	BOLT-HEX M5-16 - UNC GR.5 0.8 PITCH	3	
JUN 01/07	38	4020-10C2482	SETSCR-HX SKT 3/8 X 3/8	2	
APR 26/07	39	5000M02-0125	WASHER-LOCK M5 DIA. - ZINC PLATED	3	
MAY 08/07	40	4049-13C0235	NUT NYLON LOCK 3/8 GR5	3	
MAY 08/07	41	5009-02-0375	WASHER FLAT 3/8 USS	3	
APR 22/08	42	55-111647	3700 ROTOR WEAR WRAP REPLACEMENT KIT (INCL. 2 X #21, 2 X #23 & #34)		

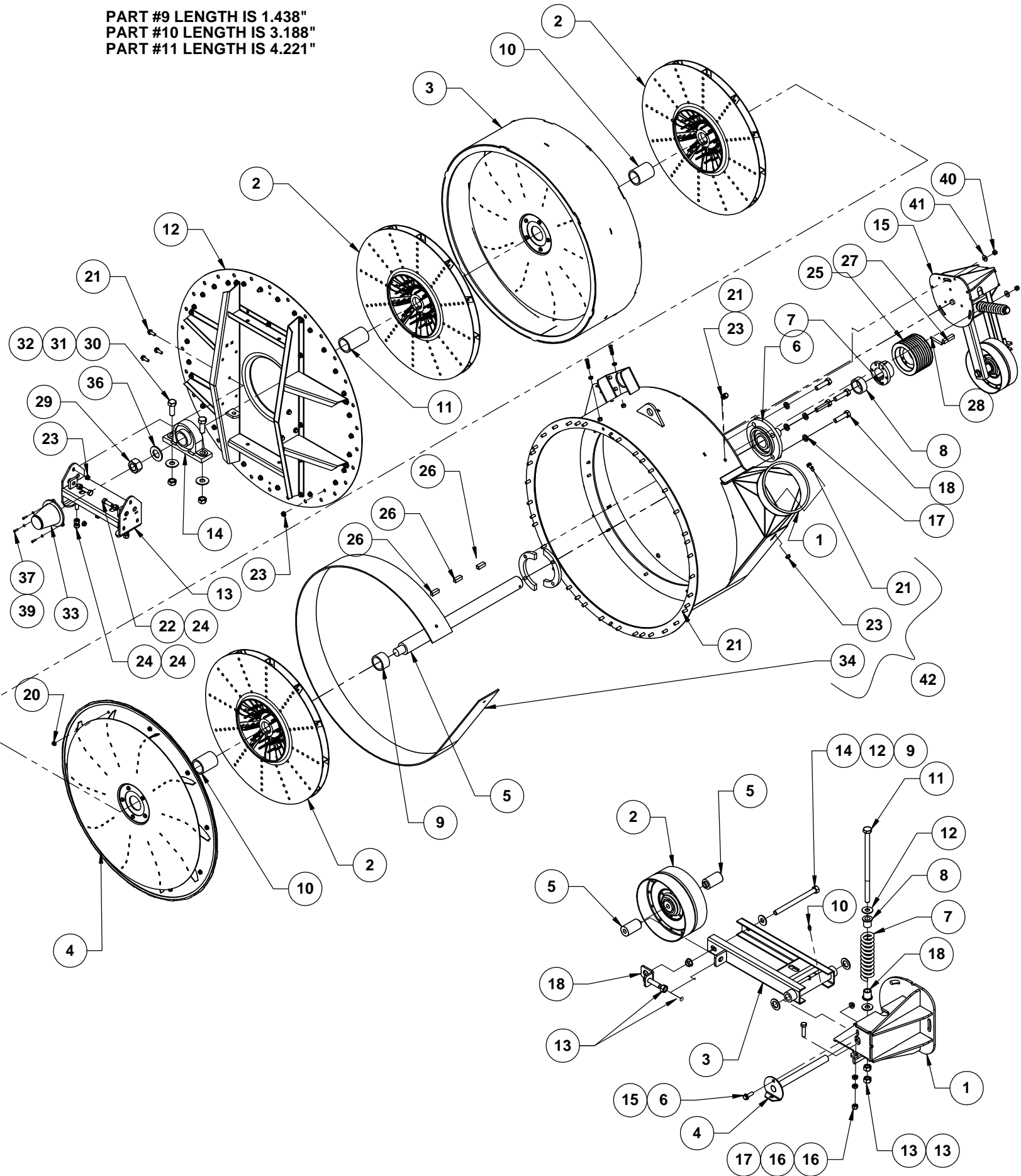
**3700 IDLER ASSEMBLY**

3700 - PAGE 6A

REVISED	NO	PART NUMBER	DESCRIPTION	QTY	SERIAL NUMBER
	1	55-111024	3700 IDLER BASE	1	
	2	7006-02-3580	DON DYE PT# 212856128	1	
	3	55-111028	3700 IDLER FORK	1	
	4	55-111027	IDLER CENTERING SHAFT	1	
	5	55-111151-99	3700 IDLER BUSHING	2	
JUL 05/07	6	4024-22C2352	BOLT-WHIZ 5/16 X 1 UNC GR.5	1	
DEC 02/11	7	01-202176-1	3700 IDLER SPRING	1	
	8	2125-00-0001	BRASS - FLANGED BUSHING	2	
JUN 01/07	9	4001-22C2988	BLT-HEX 1/2 X 6 1/2 GR.5	1	
	10	6215-01-0614	GREASE ZERK - 1/4-DRV. STR.	1	
	11	4001-22C3014	BLT- HX 1/2 X 10 GR.5	1	
	12	5009-02-0500	WASHER-FLAT 1/2 DIA. USS	3	
	13	4030-21C0260	NUT-HEX 1/2 UNC PLTD GR.5	2	
	14	4057-02C0500	NUT-FLG UNI-TRQ 1/2 UNC	1	
JUL 05/07	15	4046-13C0235	NUT-WHIZ 5/16" UNC GR.5	1	
JUL 05/07	16	4030-21C0235	NUT-HEX 3/8 UNC PLTD GR.5	2	
JUL 05/07	17	4001-22C2510	BOLT-HEX 3/8 X 1 1/4 UNC GR.5	1	

ROTOR AND IDLER ASSEMBLY  
SERIAL BREAK 1131+

PART #9 LENGTH IS 1.438"  
PART #10 LENGTH IS 3.188"  
PART #11 LENGTH IS 4.221"



3700 ROTOR ASSEMBLY  
SERIAL BREAK 1131+

3700 - PAGE 6-1A  
REV. DEC. 02/11

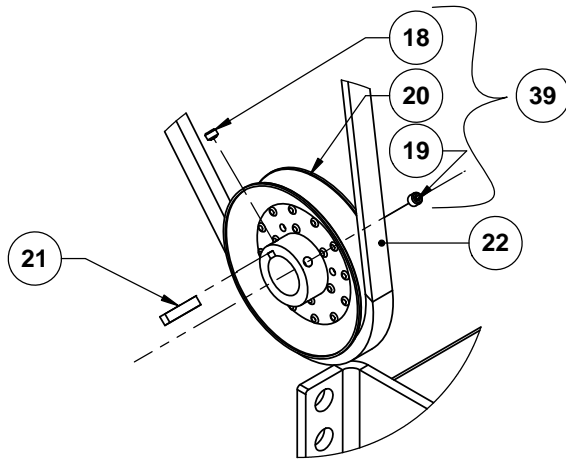
REVISED	NO	PART NUMBER	DESCRIPTION	QTY	SERIAL NUMBER
	1	55-111627	3700 ROTOR HOUSING	1	
	2	55-111005	3700 ROTOR - BALANCING	3	
	3	55-111622	STATOR ASSEMBLY - FRONT	1	
	4	55-111619	STATOR ASSEMBLY - REAR	1	
	5	55-111016	TRIPLE ROTOR SHAFT	1	
	6	7228-06-1200	BRG UNIT UCFC211-200D1	1	
	7	7001-05-0200	BUSHING SK 2DIA BORE	1	
	8	55-111017	REAR ROTOR SPACER - 1"	1	
	9	55-111018	BEARING ROTOR SPACER - 1.438"	1	
	10	55-111019	ROTOR SPACER - 3.188"	2	
	11	55-111020	FRONT ROTOR SPACER - 4.221"	1	
	12	55-111021	INLET & H - ASSEMBLY	1	
	13	55-111023	BEARING ADJUSTOR - WELD	1	
	14	7226-06-1200	BRG-UNIT C-UCP211-200D1	1	
	15	55-111030	3700 IDLER ASSEMBLY	1	
	17	5000-03-0625	WASHER-LOCK 5/8 DIA PLT	4	
	18	4001-22C3312	BLT-HX 5/8 X 2 1/2 GR 5	4	
NOV 09/11	19				
NOV 09/11	20	4046-13C0220	NUT WHIZ 5/16 GR. 5	10	
	21	4024-22C2502	BOLT-WHIZ 3/8 X 1 UNC GR.5	46	
	22	4001-22C2904	BLT-HX 1/2 X 1 1/2 GR 5	2	
NOV 09/11	23	4046-13C0235	NUT-WHIZ, FLG 3/8 UNC GR.5	46	
	24	4030-21C0260	NUT-HEX 1/2 UNC PLTD GR.5	6	
	25	55-111141	SHEAVE 3V 8 GROOVE 5.60"	1	
	26	48-106675	KEY - 1/2 x 1/2 x 1 1/2	3	
	27	51-108038	KEY 1/2 X 1/2 X 2 1/4	1	
AUG 11/11	28	23-202182-0	ROTOR LOCKING PIN	1	
	29	4030-21F1250	NUT-HEX 1 1/4" UNF GR. 5	1	
	30	4001-22C3684	BOLT-HEX 3/4 x 2 UNC GR.5 PLTD	2	
	31	5009-02-0750	WASHER - FLAT 3/4 DIA USS	2	
	32	4055-02C0305	NUT-LOCK UNI-TRQ 3/4 UNC	2	
	33	55-111070	SHAFT END CAP WELD	1	
	34	55-111178	REAR ROTOR WEAR WRAP	1	
	36	5013-01-1250	WASHER-XHVY 1-1/4 - 3/16" THICK	1	
	37	4001M21C0516	BOLT-HEX M5-16 - UNC GR.5 0.8 PITCH	3	
JUL 07/08	38	4018-10C2502	SETSCR-SQ HD 3/8 X 1 1/4	2	
	39	5000M02-0125	WASHER-LOCK M5 DIA. - ZINC PLATED	3	
	40	4049-13C0235	NUT NYLON LOCK 3/8 GR5	3	
	41	5009-02-0375	WASHER FLAT 3/8 USS	3	
APR 22/08	42	55-111647	3700 ROTOR WEAR WRAP REPLACEMENT KIT (INCL. 2 X #21, 2 X #23 & #34)		

3700 IDLER ASSEMBLY

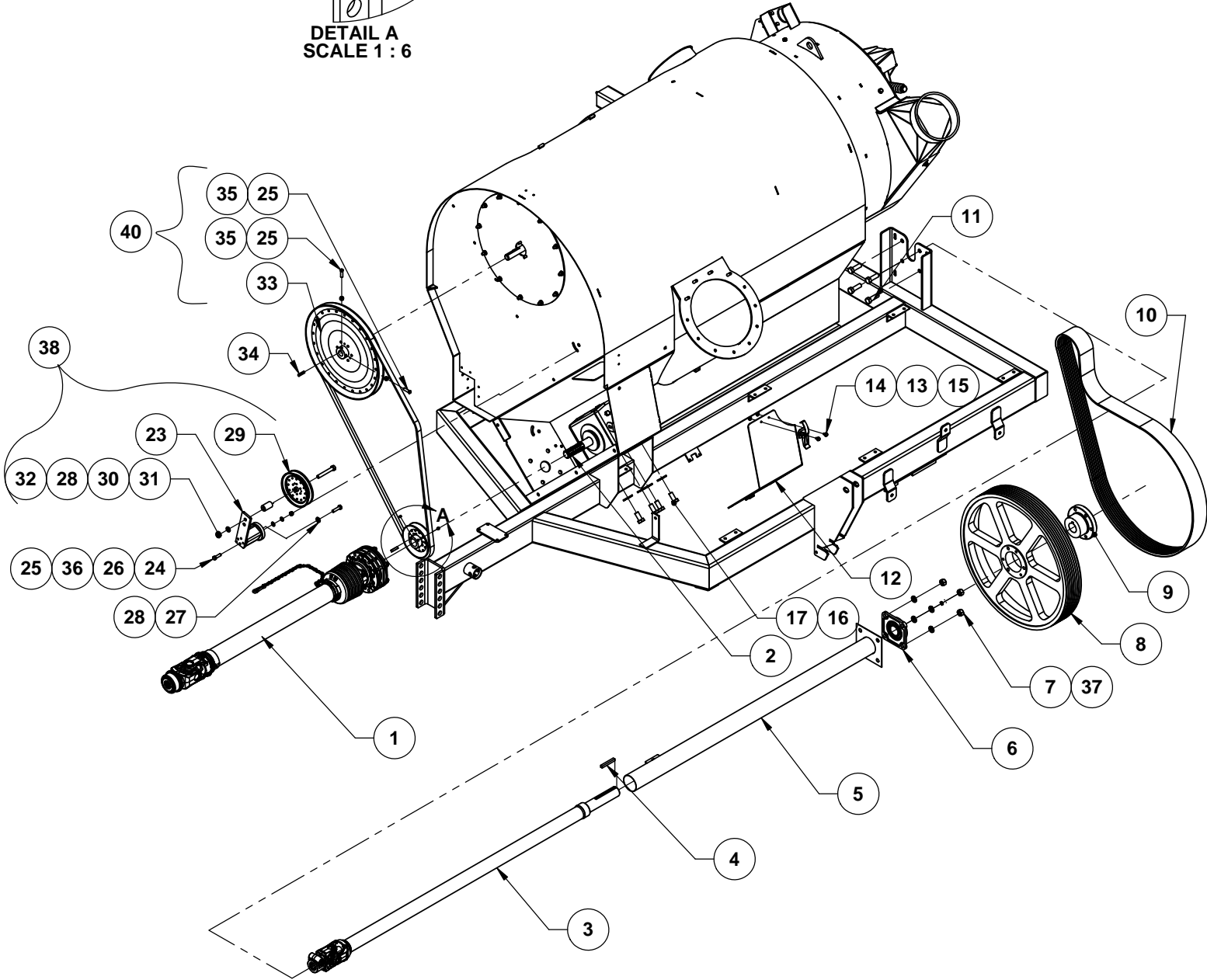
3700 - PAGE 6-1A

REVISED	NO	PART NUMBER	DESCRIPTION	QTY	SERIAL NUMBER
	1	55-111024	3700 IDLER BASE	1	
	2	7006-02-3580	DON DYE PT# 212856128	1	
	3	55-111028	3700 IDLER FORK	1	
	4	55-111027	IDLER CENTERING SHAFT	1	
	5	55-111151-99	3700 IDLER BUSHING	2	
	6	4024-22C2352	BOLT-WHIZ 5/16 X 1 UNC GR.5	1	
DEC. 02/11	7	01-202176-1	3700 IDLER SPRING	1	
	8	2125-00-0001	BRASS - FLANGED BUSHING	2	
	9	4001-22C2988	BLT-HEX 1/2 X 6 1/2 GR.5	1	
	10	6215-01-0614	GREASE ZERK - 1/4-DRV. STR.	1	
	11	4001-22C3014	BLT- HX 1/2 X 10 GR.5	1	
	12	5009-02-0500	WASHER-FLAT 1/2 DIA. USS	3	
NOV 30/10	13	4030-21C0260	NUT-HEX 1/2 UNC PLTD GR.5	4	
	14	4057-02C0500	NUT-FLG UNI-TRQ 1/2 UNC	1	
	15	4046-13C0235	NUT-WHIZ 5/16" UNC GR.5	1	
	16	4030-21C0235	NUT-HEX 3/8 UNC PLTD GR.5	2	
FEB 29/08	17	4001-22C2518	BOLT-HEX 3/8 X 1 1/2 UNC GR.5	1	
NOV 30/10	18	55-112563-1	IDLER PUSHER BLOCK PAINT	1	

PTO DRIVE SECTION ASSEMBLY  
SERIAL# UP TO 1305



DETAIL A  
SCALE 1 : 6

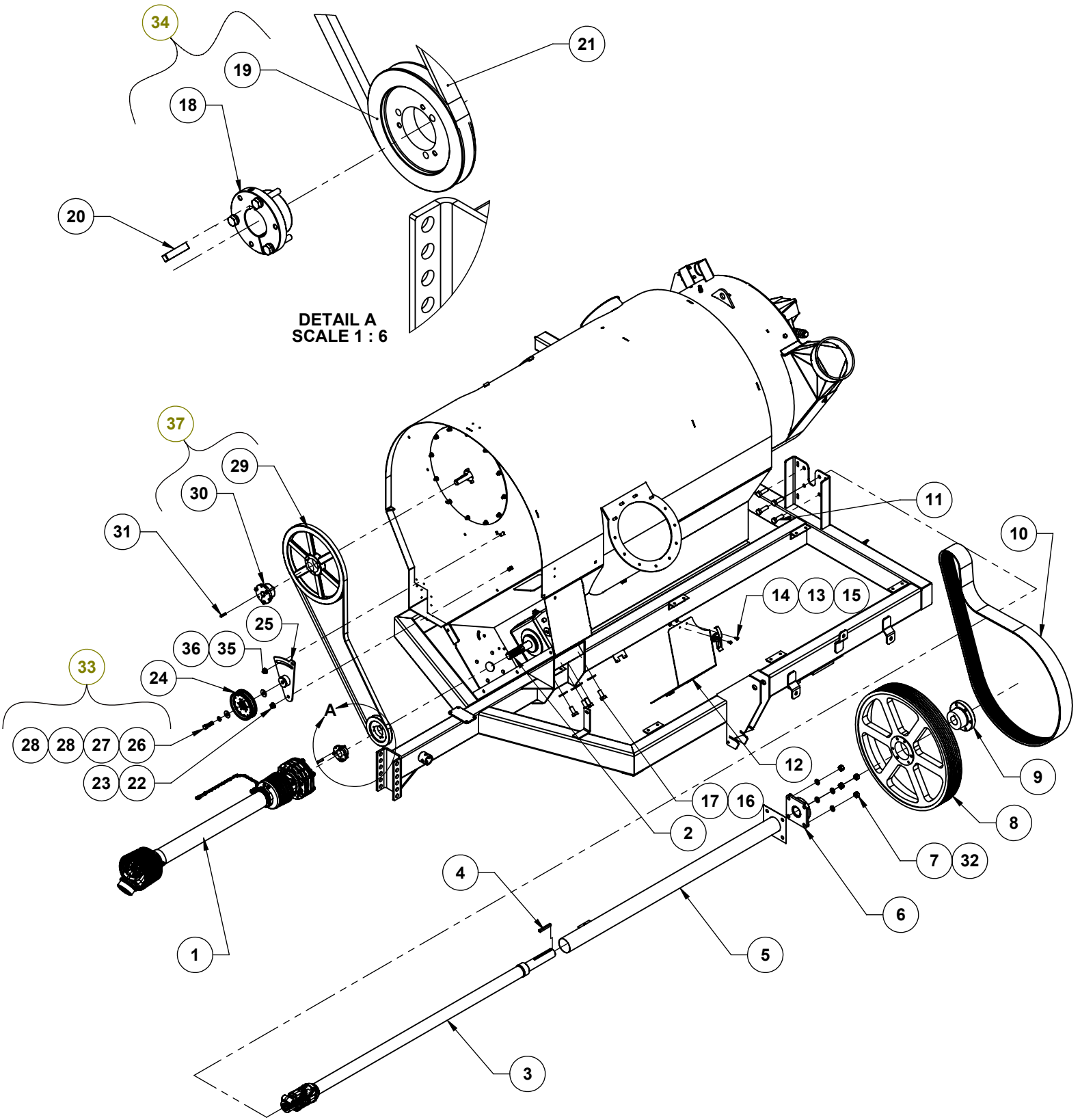


**3700 PTO DRIVE SECTION ASSEMBLY**  
**SERIAL# UP TO 1305**

**3700 - PAGE 7A**  
**REV. MAR 24/08**

REVISED	NO	PART NUMBER	DESCRIPTION	QTY	SERIAL NUMBER
	1	7100-39-6684	PTO-3700 GV GKN 1000 PTO	1	
	2	7500-38-4550	GEARBOX-GKN 3700GV- GT50	1	
	3	7100-39-6662	CENTER SHAFT-3700 GV GKN	1	
	4	51-107904	KEY 3/8 X 3/8 X 3	1	
	5	55-110979	REAR SHAFT GUARD WELD	1	
	6	7228-10-9112	BRG-UNIT UELFU209-112D1	1	
MAY 02/07	7	4030-21C0280	NUT-HEX 5/8 UNC GR.5	4	
	8	55-111138	SHEAVE 8 GROOVE 3V25.00E	1	
	9	55-111139	BSHG - QD E 1 3/4	1	
	10	3306-00-0003	BELT 8-3VX1060 BAND	1	
	11	4001-22C3304	BOLT-HEX 5/8 X 2 UNC GR.5	4	
	12	55-110980	U-JOINT GUARD	1	
	13	5190-00-0002	TENSION LATCH CLAMP	1	
	14	4024-22C2140	BOLT-WHIZ 1/4 X 1/2 UNC GR.5	2	
	15	4046-13C0200	NUT-WHIZ, FLG 1/4 UNC GR.5	2	
	16	5000M13-0630	WASHER-LOCK 16MM-ZINC PLT	4	
	17	4001M32C1635	BOLT-HX 16MMX35MM X2.0PIT	4	
	18	4020-10C2481	SETSCR-HX SKT 3/8 X 1/4	1	
	19	4020-10C2482	SETSCR-HX SKT 3/8 X 3/8	1	
	20	7008-20-1006	PULLEY-DRV-"C" DC-104-979	1	
	21	38-109341	KEY 5/16 X 5/16 X 1 3/8	1	
	22	3320-00-0036	BELT - CX105 - CX105"	1	
	23	7019-01-0001	TENSIONER - ROSTA SE 27	1	
MAY 02/07	24	4001-21C2518	BLT-HX 3/8 X 1 1/2 GR5	1	
	25	4030-21C0235	NUT-HEX 3/8 UNC PLTD GR5	3	
	26	5012-02-0375	WASHER-FLAT 3/8 DIA SAE	1	
	27	4001M22C1240	BLT-HX 12MM X 40MM 1.5PIT	1	
	28	5000-03-0500	WASHER - LOCK 1/2 DIA. PLTD.	2	
	29	7007-01-0563	PULLEY-IDLER-V G2CV1-100	1	
	30	55-111092	DRUM DRIVE IDLER SPACER	1	
	31	4001-22C2944	BLT-HX 1/2 X 3 1/2	1	
	32	4030-21C0260	NUT-HEX 1/2 UNC GR.5	1	
	33	7008-20-1017	PULLEY-DRIVE-"C"DC280-501	1	
	34	07-100517	KEY 1/4 X 1/4 X 1 3/8	1	
MAR 24/08	35	4018-10C2502	SETSCR-SQ HD 3/8 X 1 1/4	2	
APR 30/07	36	5000-63-0375	WASHER-LOCK 3/8 FEDALLOY	1	
MAY 02/07	37	5000-03-0625	WASHER LOCK 5/8 DIA. PLTD.	4	
MAY 02/07	38	55-111389	DRUM IDLER SUB (INC. 23,28-33)	1	
MAR 24/08	39	55-111637	PULLEY-DRV-"C" DC-104-979 (INC. 18, 19 & 20)		
MAR 24/08	40	55-111638	PULLEY-DRIVE-"C"DC280-501 (INC. 25, 33 & 35)		

PTO DRIVE SECTION ASSEMBLY  
SERIAL BREAK 1306+

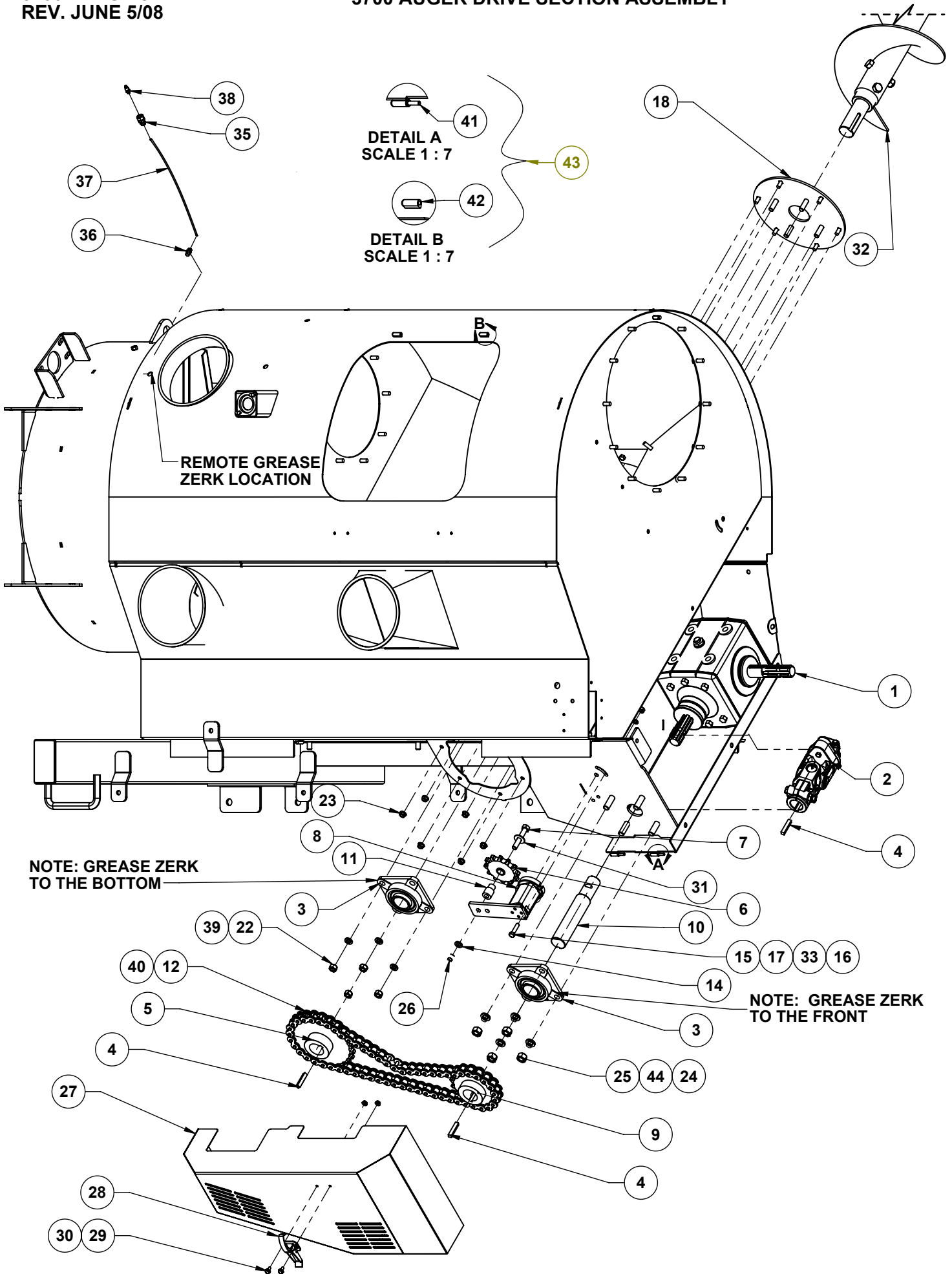


**3700 PTO DRIVE SECTION ASSEMBLY  
SERIAL BREAK 1306+**

**3700 - PAGE 7-1A  
REV. FEB 17/11**

REVISED	NO	PART NUMBER	DESCRIPTION	QTY	SERIAL NUMBER
	1	7100-39-6684	PTO-3700 GV GKN 1000 PTO	1	
	2	7500-38-4550	GEARBOX-GKN 3700GV- GT50	1	
	3	7100-39-6662	CENTER SHAFT-3700 GV GKN	1	
	4	51-107904	KEY 3/8 X 3/8 X 3	1	
	5	55-110979	REAR SHAFT GUARD WELD	1	
	6	7228-10-9112	BRG-UNIT UELFU209-112D1	1	
MAY 02/07	7	4030-21C0280	NUT-HEX 5/8 UNC GR.5	4	
	8	55-111138	SHEAVE 8 GROOVE 3V25.00E	1	
	9	55-111139	BSHG - QD E 1 3/4	1	
	10	3306-00-0003	BELT 8-3VX1060 BAND	1	
	11	4001-22C3304	BOLT-HEX 5/8 X 2 UNC GR.5	4	
	12	55-110980	U-JOINT GUARD	1	
	13	5190-00-0002	TENSION LATCH CLAMP	1	
	14	4024-22C2140	BOLT-WHIZ 1/4 X 1/2 UNC GR.5	2	
	15	4046-13C0200	NUT-WHIZ, FLG 1/4 UNC GR.5	2	
	16	5000M13-0630	WASHER-LOCK 16MM-ZINC PLT	4	
	17	4001M32C1635	BOLT-HX 16MMX35MM X2.0PIT	4	
DEC 08/10	18	7001-03-1375	BSHG - QD SDS 1 3/8	1	1306 +
DEC 08/10	19	7008-10-1306	PULLEY-DRV-MASKA #1B58	1	1306 +
	20	38-109341	KEY 5/16 X 5/16 X 1 3/8	1	
JAN 11/11	21	3305-16-0105	BELT "V" BX-105	1	1306 +
DEC 08/10	22	4001-22C2888	BOLT-HEX 1/2-13 UNC X 1 GR5	1	1306 +
DEC 08/10	23	4057-02C0500	NUT - FLANGE OVAL LOCK 1/2-13 UNC GR G	1	1306 +
DEC 08/10	24	7006-02-0550	PULLEY-IDLER-BCF192-008ZC	1	1306 +
DEC 08/10	25	55-112566-1	3700 DRUM IDLER BRACKET-PAINT	1	1306 +
DEC 08/10	26	4001-22C2912	BOLT - HEX 1/2-13 UNC X 1 3/4 GR5	1	1306 +
DEC 08/10	27	5000-03-0500	WASHER - HELICAL SPRING LOCK 1/2	1	1306 +
DEC 08/10	28	5009-02-0500	WASHER - FLAT USS 1/2	2	1306 +
JAN 11/10	29	7008-10-1717	PULLEY-DRV-MASKA #1B160	1	1306 +
DEC 08/10	30	7001-05-1000	BSHG-QD SK 1"	1	1306 +
DEC 08/10	31	07-100517	KEY 1/4 X 1/4 X 1 3/8	1	1306 +
DEC 08/10	32	5000-03-0625	WASHER LOCK 5/8 DIA. PLTD.	4	1306 +
DEC 08/10	33	55-112568	3700 DRUM IDLER SUB ASSY (INCL. # 24-28)	1	1306 +
DEC 08/10	34	38-112512	PULLEY MASKA #B58& BUSHING(INCL. 18-19)	1	1306 +
JAN 13/11	35	4003-22C2888	BOLT - CARRIAGE 1/2-13 UNC X 1 GR 5	1	1306+
JAN 13/11	36	4046-13C0500	NUT - FLANGE 1/2-13 UNC GR 5	1	1306+
FEB 17/11	37	38-112511	DRUM CAST PULLEY-MASKA #B160 & BSG/BELT KIT (INCL. 29 - 30)	1	1306+

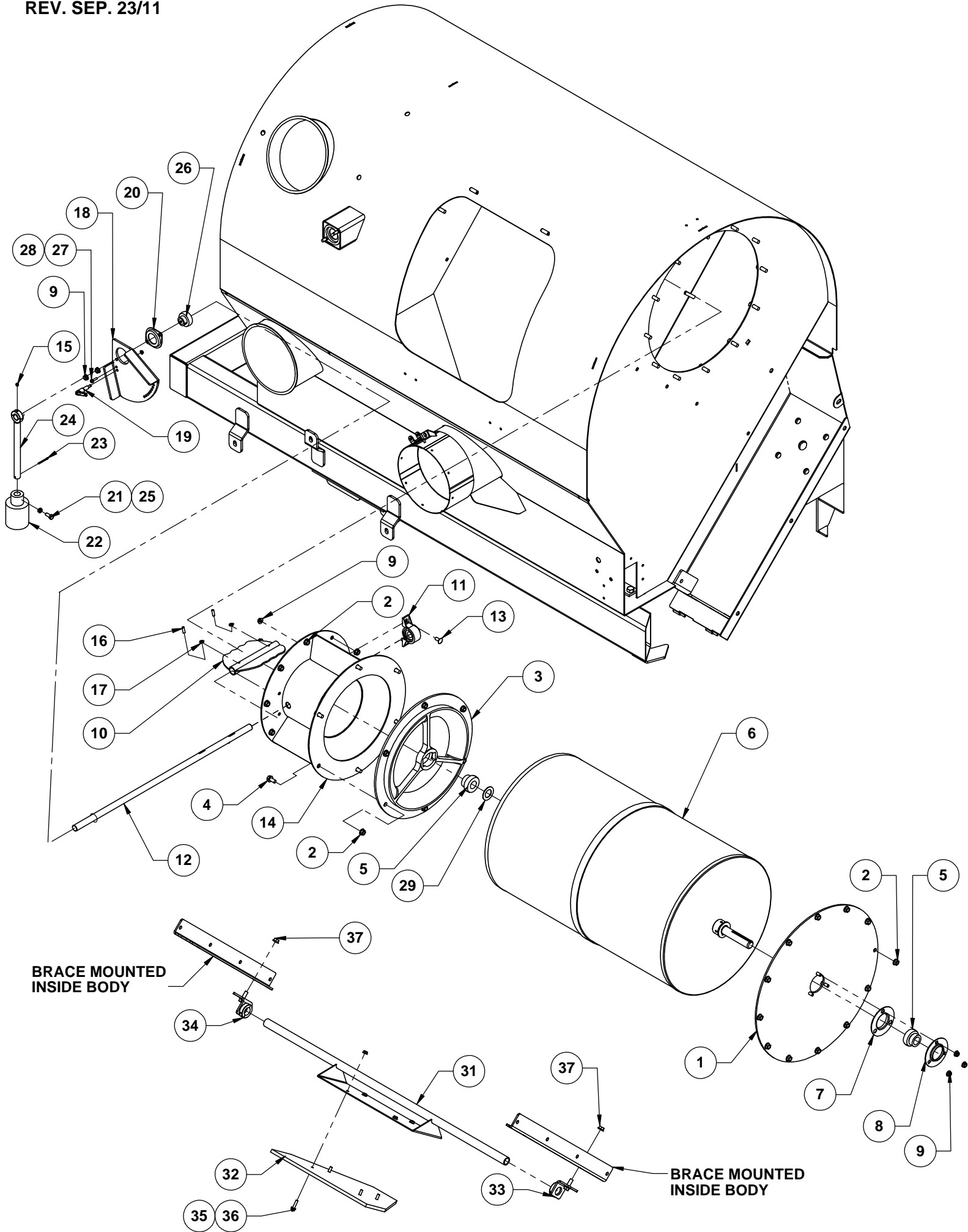
### 3700 AUGER DRIVE SECTION ASSEMBLY





REVISED	NO	PART NUMBER	DESCRIPTION	QTY	SERIAL NUMBER
	1	7500-38-4550	GEARBOX-GKN 3700GV- GT50	1	
NOV 07/11	2	7100-39-6663	AUGER DRIVE-3700 GV GKN (SEE PG 2/2A)	1	
	3	7228-10-9112	BRG-UNIT UELFU209-112D1	2	
	4	55-111094	KEY 3/8 X 3/8 X 2	3	
	5	7014-00-8024	SPROCKET-CHAIN 80B24	1	
	6	7025-00-8012	SPROCKET-IDLER 8012 BEAR	1	
	7	4001-22C2936	BOLT - HEX 1/2 X 3 GR 5	1	
	8	7019-02-0002	TENSIONER - ROSTA SE 27-G	1	
	9	7014-00-8017	SPROCKET-CHAIN 80B17	1	
	10	55-111093	AUGER STUB SHAFT	1	
	11	55-111091	AUGER DRIVE IDLER SPACER	1	
NOV 22/07	12	55-111585	AUGER DRIVE CHAIN #80 (INCL. 40)	1	
	13	4001M22C1240	BLT-HX 12MM X 40MM 1.5PIT ( C/W #8 )	1	
	14	5000-03-0500	WASHER - LOCK 1/2 DIA. PLTD	1	
MAY 02/07	15	4001-21C2518	BLT-HX 3/8 X 1 1/2 GR5	1	
	16	4030-21C0235	NUT-HEX 3/8 UNC PLTD GR5	1	
	17	5012-02-0375	WASHER-FLAT 3/8 DIA SAE	1	
MAY 07/07	18	55-111385	BOTTOM AUGER PLATE WELD	1	
JUN 05/08	22	4030-21C0260	NUT-HEX 1/2 GR.5 UNC PLTD	4	
	23	4046-13C0235	NUT-WHIZ, FLG 3/8 UNC GR.5	6	
JUN 05/08	24	4001-22C3304	BOLT-HEX 5/8 X 2 UNC GR.5	4	
JUN 05/08	25	4030-21C0280	NUT-HEX 5/8 GR5 UNC PLTD	4	
	26	4030-21C0260	NUT-HEX 1/2 UNC GR.5	1	
	27	55-111109	CHAIN GUARD ASSM	1	
	28	5190-00-0002	TENSION LATCH CLAMP	1	
	29	4024-22C2140	BOLT-WHIZ 1/4 X 1/2 UNC GR.5	2	
	30	4046-13C0200	NUT-WHIZ, FLG 1/4 UNC GR.5	2	
	31	5009-02-0500	WASHER-FLAT 1/2 PLTD USS	1	
	32	55-111050	LOWER AUGER ASSEMBLY	1	
MAY 02/07	33	5000-63-0375	WASHER - LOCK 3/8 FEDALLOY PLTD	1	
	34	55-111399	AUGER IDLER SUB (INCL. 6-8,11,14, 26, 31)	1	
JUL 10/07	35	6801-00-0002	1/8" NPT BULKHEAD	1	
JUL 10/07	36	6801-00-0001	1/8" NPT STRAIGHT MALE FITTING	1	
JUL 10/07	37	6801-00-0003	3/16" POLY HOSE ( SOLD PER FOOT )	22"	
JUL 10/07	38	6215-00-1825	1/8" NPT GREASE ZERK STRAIGHT	1	
JUN 05/08	39	5000-03-0500	WASHER LOCK 1/2" PLTD	4	
OCT 19/07	40	7310-00-0017	#80 CONN LNK O-RING	1	
MAR 12/08	41	38-109380	MALE HINGE	2	
MAR 12/08	42	38-109379	FEMALE HINGE	2	
MAR 12/08	43	55-111634	WELD-ON HINGE REPLACEMENT KIT(INCL. 41&42)		
JUN 05/08	44	5000-03-0625	WASHER LOCK 5/8" PLTD	4	

3700 INLET THROTTLE ASSEMBLY

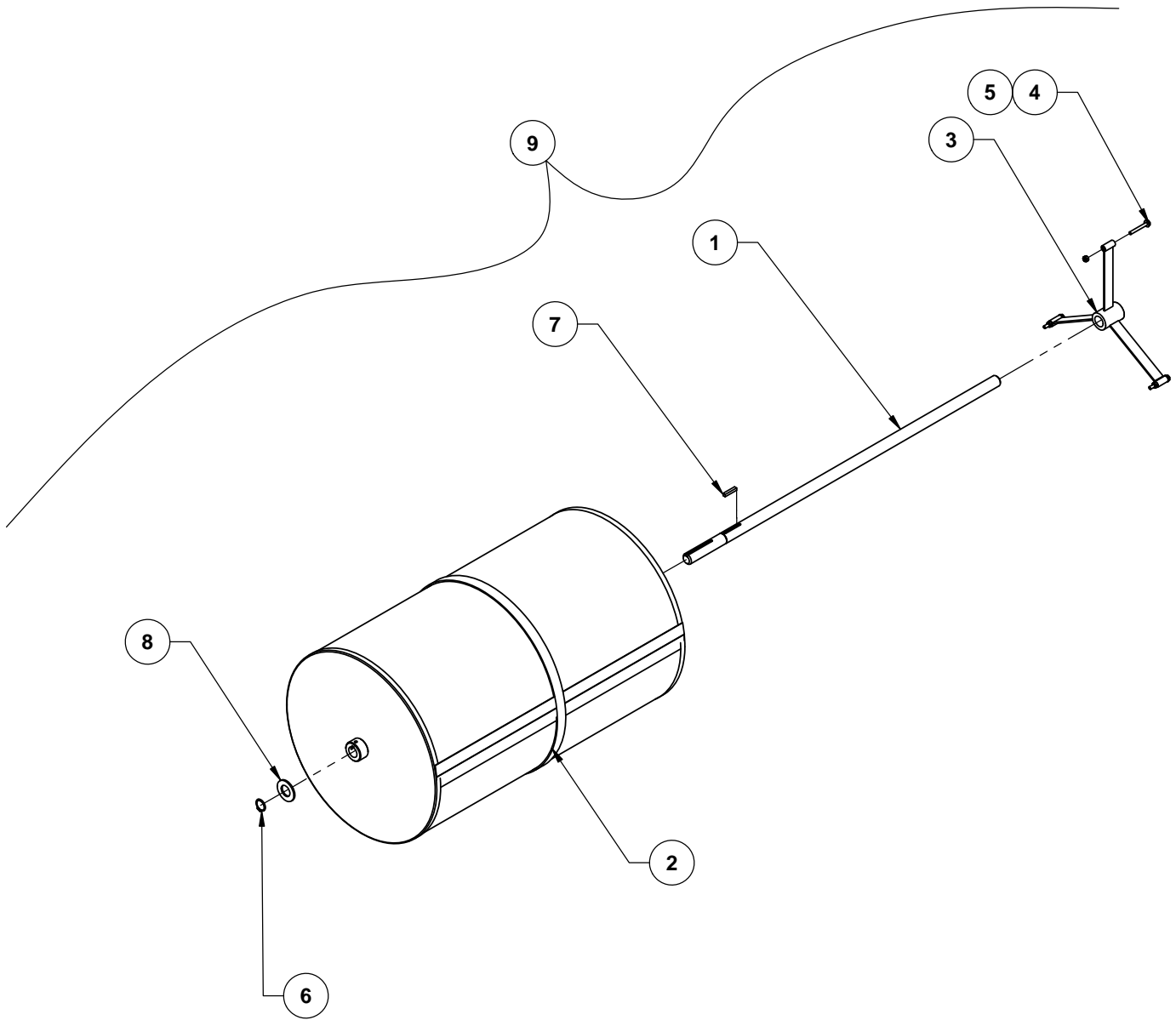


## 3700 INLET AND THROTTLE ASSEMBLY

3700 - PAGE 9A  
REV. JULY 19/11

REVISED	NO	PART NUMBER	DESCRIPTION	QTY	SERIAL NUMBER
	1	55-111166	3700 DRUM BODY PLATE	1	
	2	4046-13C0235	NUT-WHIZ, FLG 3/8 UNC GR.5	27	
	3	38-105014	CAST INLET COUNTERSUNK	1	
	4	4024-22C2494	BOLT-WHIZ 3/8 X 3/4 UNC GR.5	6	
	5	7220-10-5100	BRG-BALL AEL 205-100 - INSERT RADIAL	2	
	6	55-110914	DRUM ASSEMBLY	1	
	7	38-104150	205-FLANGETTE MACHINING	1	
	8	7222-01-2205	FLANGETTE-PF-205 MS-52	1	
DEC 09/10	9	4046-13C0220	NUT-WHIZ, FLG 5/16 UNC GR.5	7	1306+
	10	55-111117	THROTTLE PLATE WELD	1	
DEC 09/10	11	7228-02-4012	BRG-BALL 3/4" PRESSED STEEL HOUSING	1	1306+
DEC 09/10	12	55-112576	THROTTLE AXLE-LONG	1	1306+
DEC 09/10	13	4003-12C2344	BLT-CARR 5/16 X 3/4 GR2	2	1306+
	14	55-111060	THROTTLE BODY WELD	1	
DEC 09/10	15	4020-10C2134	SETSCREW-SKT 1/4-20x5/16 CUP PNT	1	1306+
FEB 27/09	16	4020-10F1434	SETSCREW-SKT 1/4-28x3/4 CUP PNT	2	
FEB 27/09	17	4033-12F0200	NUT-JAM HEX GR5 1/4 UNF	2	
FEB 27/09	18	55-111124	GAUGE PLATE PAINTED	1	
FEB 27/09	19	55-111068	PUSH BUTTON PIN ASSY	1	
FEB 27/09	20	7222-01-2204	PFL204-MA FLANGETTE	1	
FEB 27/09	21	4001-22C2344	BOLT-HEX 5/16 X 3/4 UNC	1	
FEB 27/09	22	55-111067	THROTTLE WEIGHT PAINTED	1	
FEB 27/09	23	6732-00-0018	PINS-COTTER 1/8 X 1 1/4	1	
DEC 09/10	24	55-112578-1	THROTTLE LEVER ARM CLAMP	1	1306+
FEB 27/09	25	4033-10C0220	NUT-JAM HEX GR.5 5/16 UNC	1	
FEB 27/09	26	7217-00-0002	BRG-BALL AS204-012	1	
FEB 27/09	27	4024-22C1024	BOLT WHIZ #10-24 - 3/4"	1	
FEB 27/09	28	4046-13C1024	NUT WHIZ FLG #10 - 24	1	
DEC 09/10	29	5018-11-1250	SHIM - ROUND 1.750 X 1.031 X 0.060	1	1306+
FEB 27/09	30	55-111123	THROTTLE SUB ASSEMBLY (INCL. 9 - 14, 16 &17)		
APR 12/11	31	55-112653	DEFLECTOR BASE WELD	1	114100 +
APR 12/11	32	3703-04-0065	UHMW DEFLECTOR	1	114100 +
APR 12/11	33	55-112655	DEFLECTOR MOUNT WELD RIGHT	1	114100 +
APR 12/11	34	55-112656	DEFLECTOR MOUNT WELD LEFT	1	114100 +
APR 12/11	35	4024-22C2156	BOLT - FLANGE 1/4-20 UNC X 1 GR 5	4	114100 +
APR 12/11	36	4046-13C0200	NUT - FLANGE 1/4-20 UNC GR 5	4	114100 +
APR 12/11	37	4046-13C0235	NUT - FLANGE 3/8-16 UNC GR 5	2	114100 +
APR 12/11	38	55-112657	3700 DEFLECTOR ASSEMBLY (INCL. 31 - 37)	1	114100 +
JULY 19/11	39	55-112734	3700 DEFLECTOR BRKT/MOUNT KIT (INCL. 31, 33, 34, 37)		
JULY 19/11	40	55-112735	3700 DEFLECTOR/HARDWARE KIT (INCL. 32, 35, 36)		

3700 DRUM ASSEMBLY



## 3700 DRUM ASSEMBLY

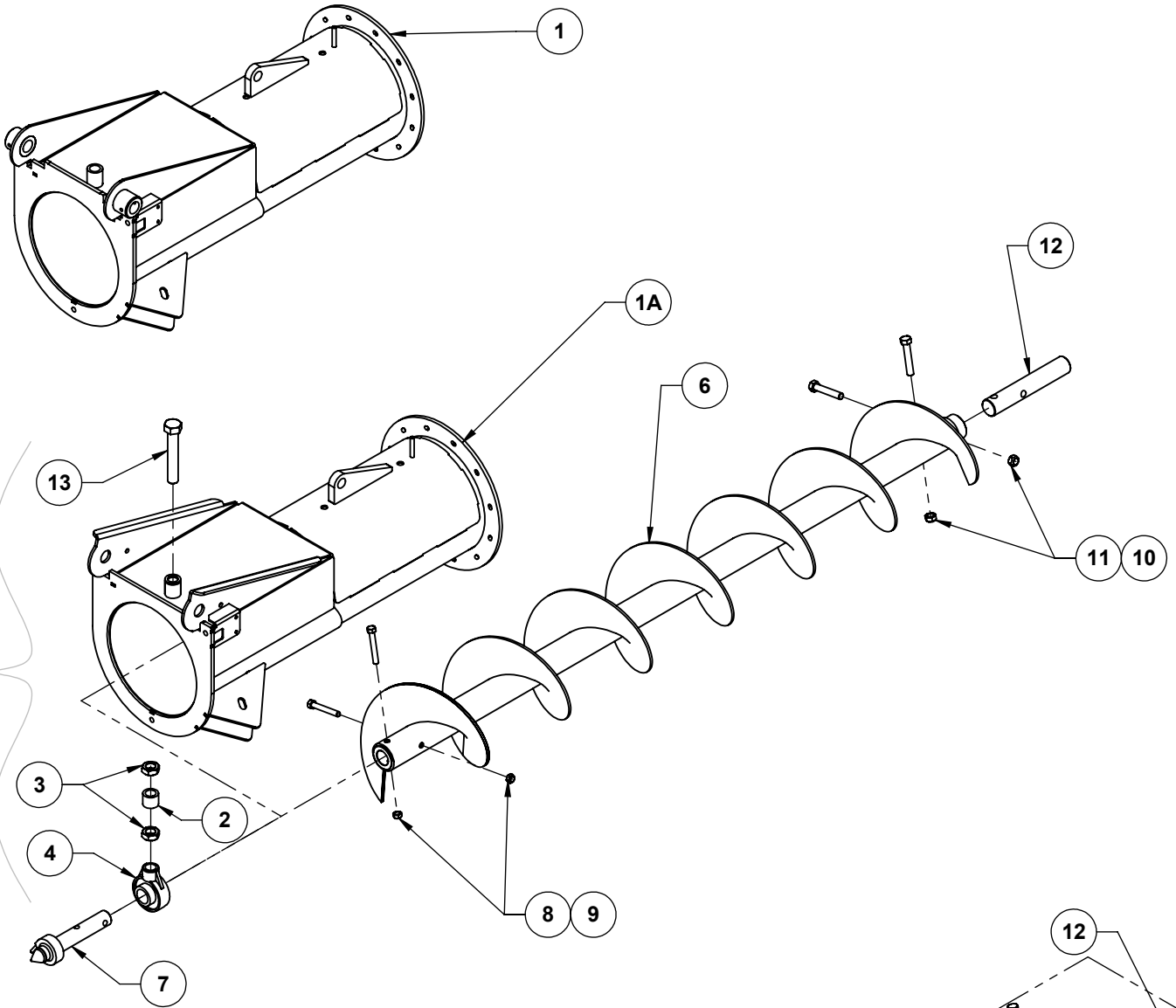
3700 - PAGE 10A

REV. OCT 01/08

REVISED	NO	PART NUMBER	DESCRIPTION	QTY	SERIAL NUMBER
	1	55-110917	DRUM SHAFT	1	
	2	55-110915	DRUM SCREEN WELDMENT	1	
	3	55-110916	DRUM SPIDER WELDMENT	1	
	4	4024-22C2225	BOLT-WHIZ 1/4 X 2 UNC GR.5	3	
	5	4049-13C0200	NUT-NY LOCK 1/4 UNC GR.5	3	
	6	5860-30-0100	SNAPRING-EXT 1 DIA	1	
	7	07-100517	KEY 1/4 X 1/4 X 1 3/8	1	
OCT 01/08	8	5012-02-1000	WASHER FLAT 1 SAE	1	
OCT 01/08	9	55-110914	3700 COMPLETE DRUM ASSEMBLY (INCL. 1 - 8)		

3700 LOWER AUGER ASSEMBLY

LOWER AUGER  
ASSEMBLY  
SERIAL BREAK  
1000 - 1090

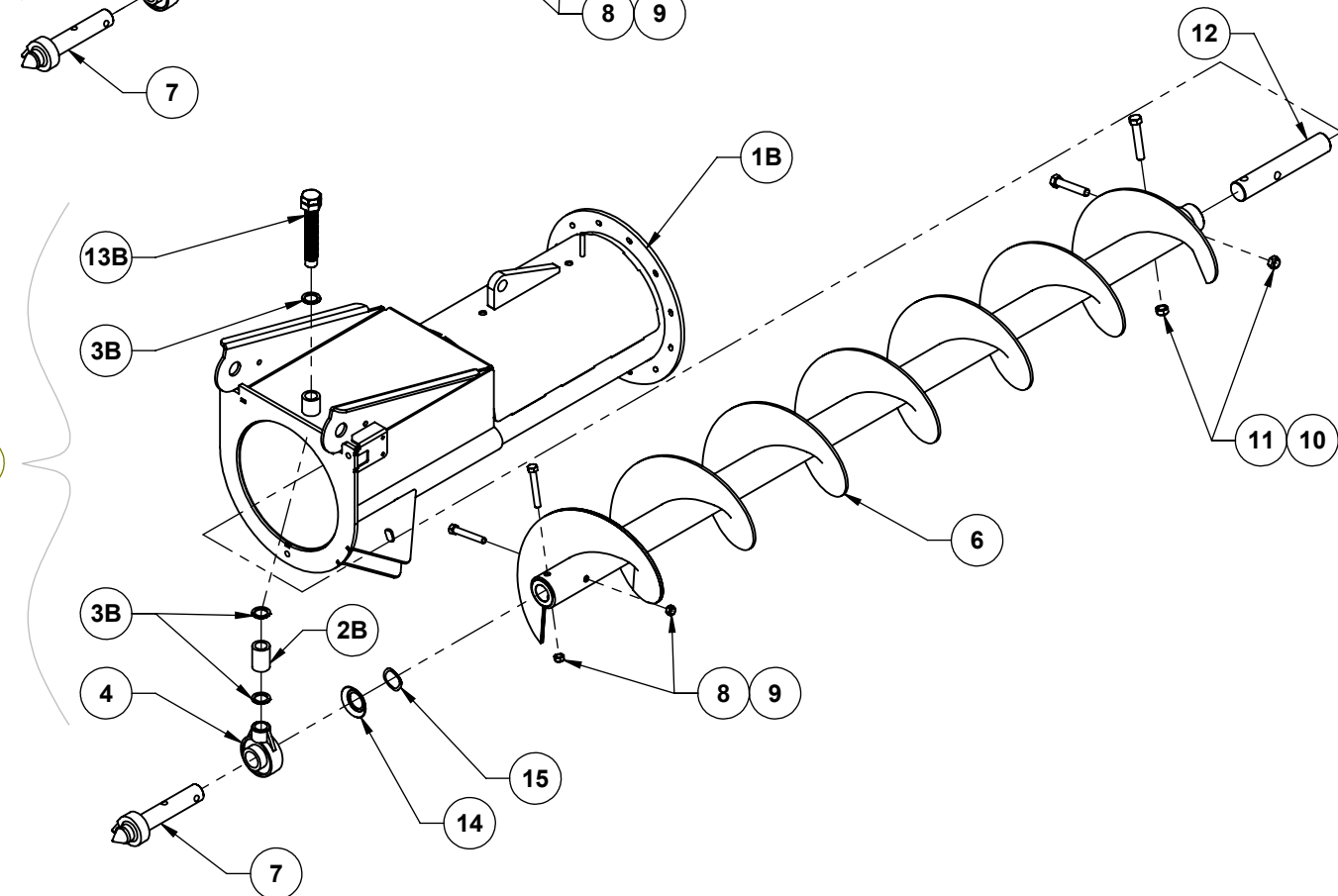


LOWER AUGER  
ASSEMBLY  
SERIAL BREAK  
1090 - 1210

17

LOWER AUGER  
ASSEMBLY  
SERIAL BREAK  
1211 +

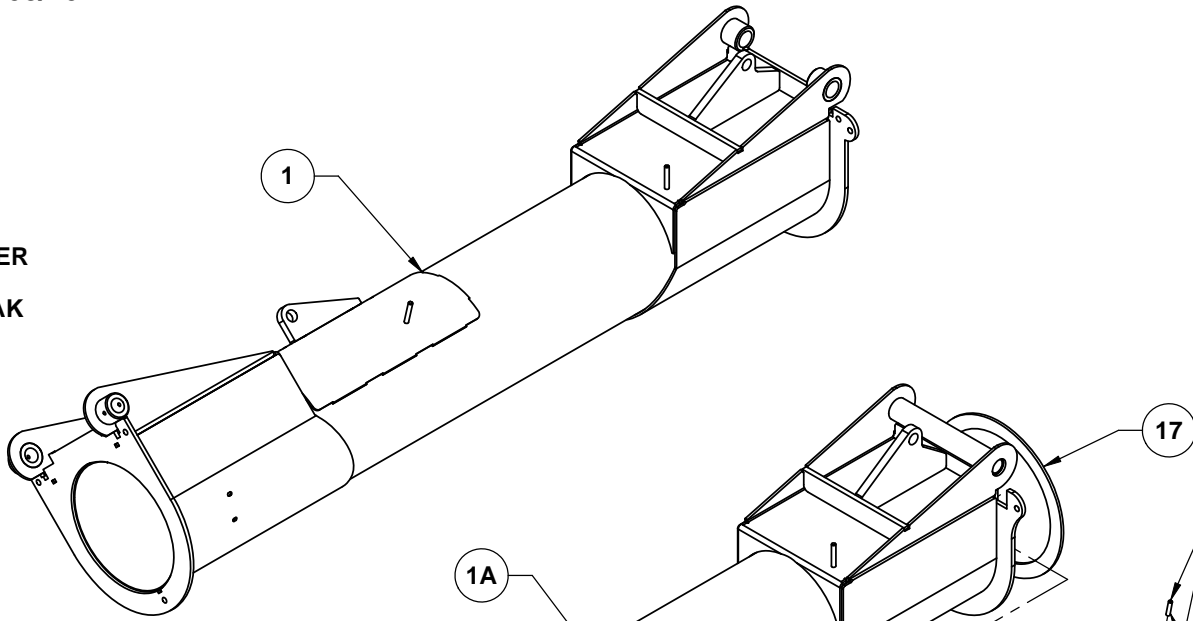
17B



REVISED	NO	PART NUMBER	DESCRIPTION	QTY	SERIAL NUMBER
JUL 06/07	1	55-110844	LOWER AUGER PAINTED	1	1000 - 1089
JUL 06/07	1A	55-111410	LOWER AUGER PAINTED	1	1090 - 1210
JAN 22/09	1B	55-111777	LOWER AUGER PAINTED	1	1211 +
	2	55-110982	HANGER BEARING SPACER	1	1000 - 1210
JAN 22/09	2B	55-111776	HANGER BEARING SPACER	1	1211 +
	3	4033-12F1000	NUT-JAM 1" FINE THREAD	2	1000 - 1210
JAN 22/09	3B	5010-00-0009	WASHER-NORD LOCK 1 X 1 3/16 X 2 PART	3	1211 +
DEC 02/10	4	7230-05-8108	BRG- UNIT UCHB208-108D1-04#01	1	
	6	55-111051	1ST SECTION HARD SURFACED	1	
NOV 25/10	7	2200-00-0005	3700-DRIVE DOG- FORGED	1	
	8	4001-22C2944	BLT-HX 1/2 X 3 1/2	2	
	9	4055-02C0260	NUT-LOCK UNI-TRQ 1/2 UNC	2	
	10	4055-02C0280	NUT-LOCK UNI-TRQ 5/8 UNC	2	
	11	4001-22C3328	BLT-HX 5/8 X 3 1/2 GR5	2	
	12	55-110981	AUGER DRIVE SHAFT	1	
	13	4001-32F7954	BLT-HEX 1 X 6 14 TPI UNS GR. 8	1	1000 - 1210
JAN 22/09	13B	4001-22S7954	BLT-HEX 1 X 6 14 TPI UNS GR5 FULL THREAD	1	1211 +
DEC 08/10	14	55-112575	3700 AUGER BEARING SHIELD CONE	1	1306 +
DEC 08/10	15	5010-00-0012	WAVE DISC SPRING	1	1306 +
	16	55-111050	LOWER AUGER ASSEMBLY (INCL. 1 - 15)	1	
FEB 29/08	17	55-111632	HANGER BEARING KIT (INCL. 2, 3, 4 & 13)		1000 - 1210
JAN 22/09	17B	55-111779	HANGER BEARING KIT (INCL. 2B, 3B, 4 & 13B)		1211 +

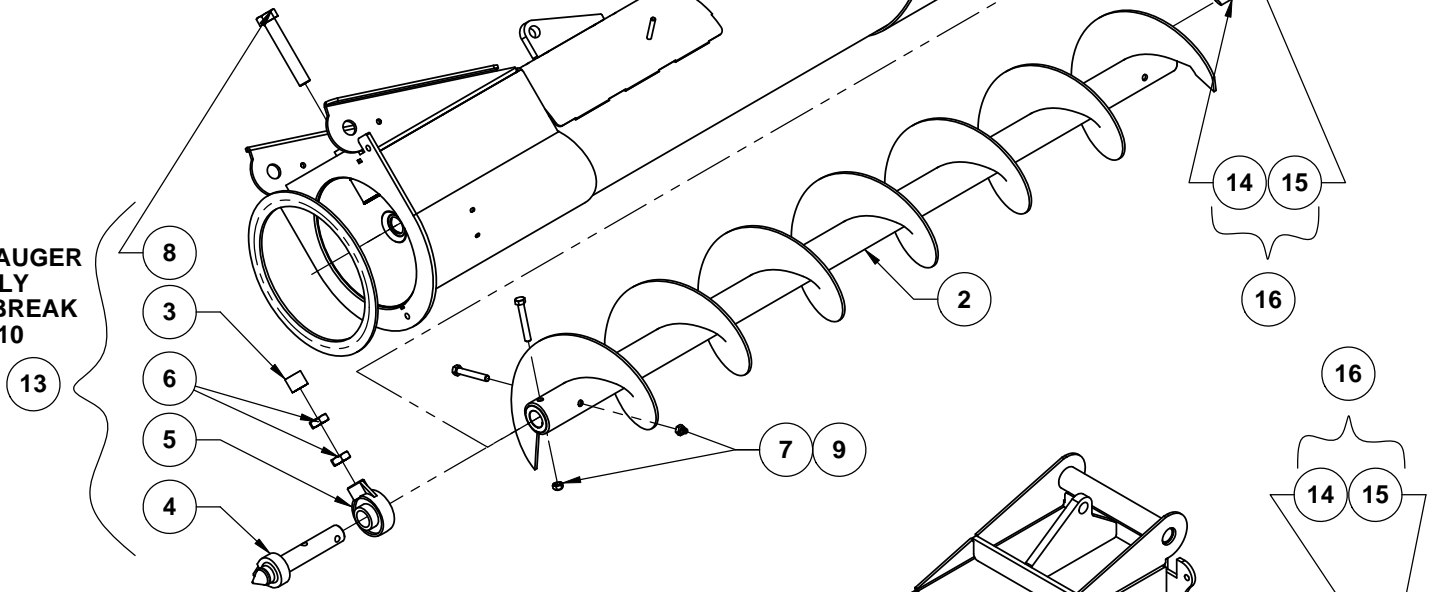
3700 MIDDLE AUGER ASSEMBLY

MIDDLE AUGER  
ASSEMBLY  
SERIAL BREAK  
1000 - 1090

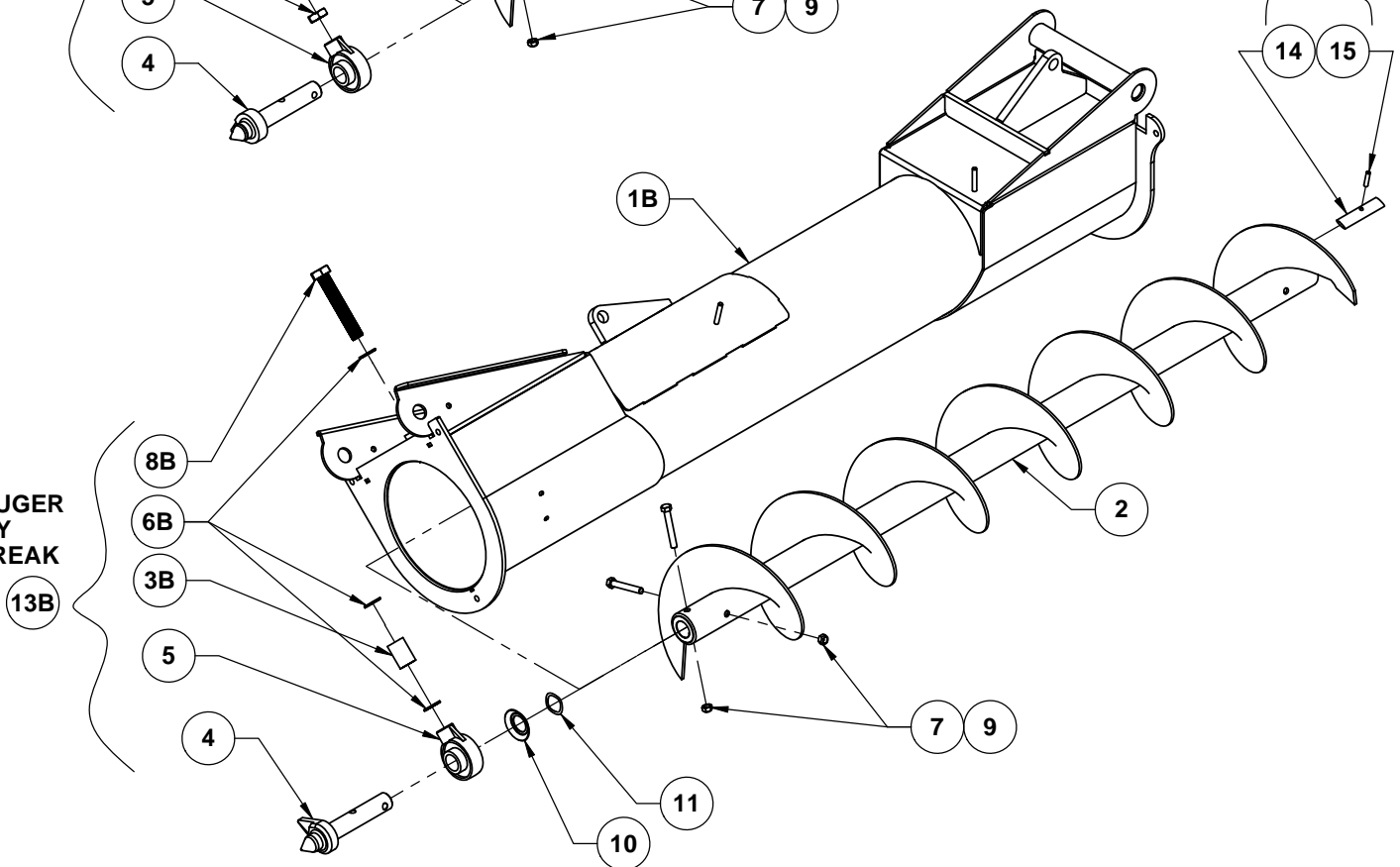


DRIVE PIN &  
ROLL PIN  
COME WITH  
AUGER.

MIDDLE AUGER  
ASSEMBLY  
SERIAL BREAK  
1090 - 1210



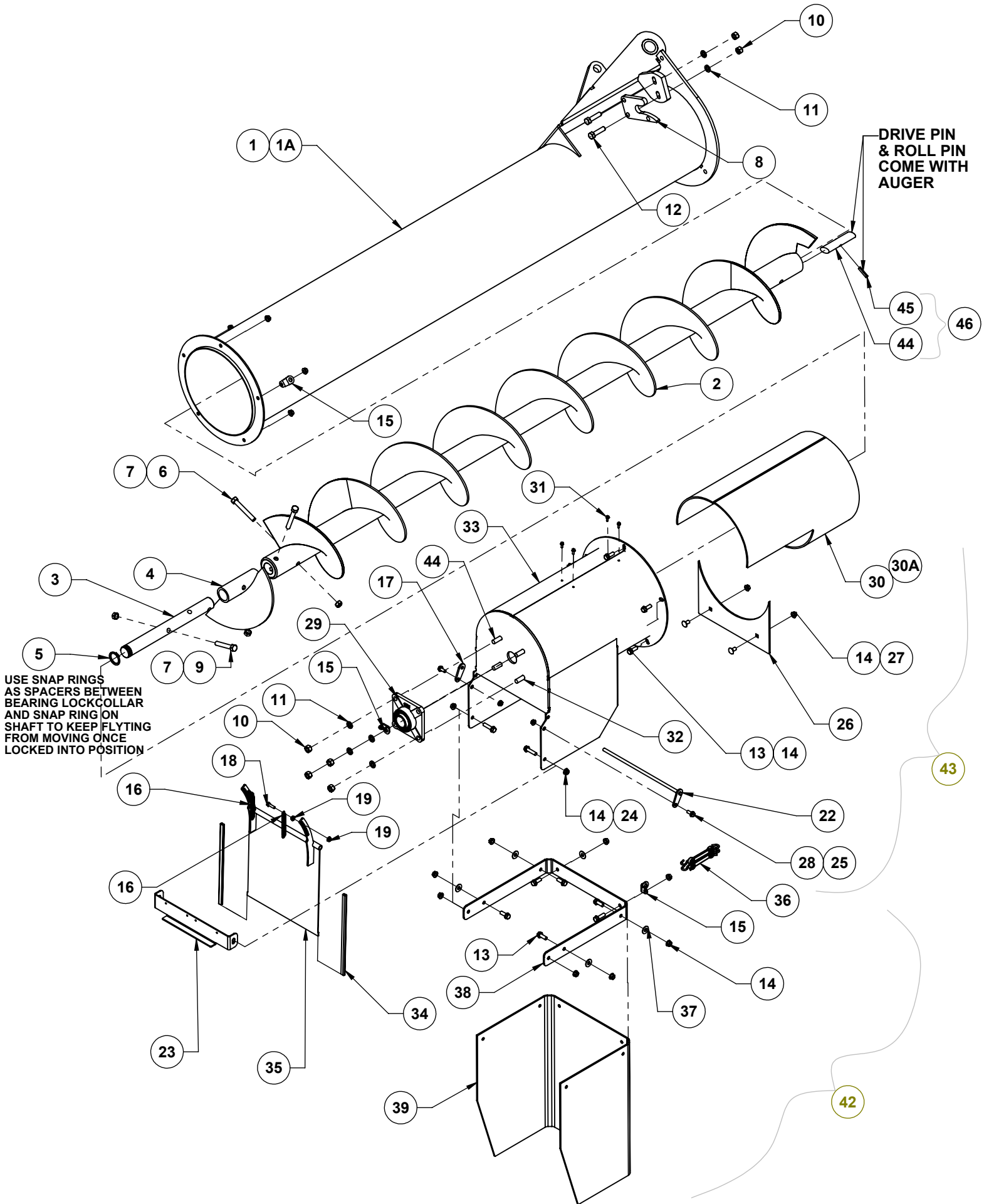
MIDDLE AUGER  
ASSEMBLY  
SERIAL BREAK  
1211 +





REVISED	NO	PART NUMBER	DESCRIPTION	QTY	SERIAL NUMBER
JUL 06/07	1	55-110848	MID AUGER PAINTED	1	1000-1089
JUL 06/07	1A	55-111411	MID AUGER PAINTED	1	1090 - 1210
JAN 22/09	1B	55-111778	MID AUGER PAINT	1	1211 +
	2	55-111052	2ND SECTION HARD SURFACED	1	
	3	55-110982	HANGER BEARING SPACER	1	1000 - 1210
JAN 22/09	3B	55-111776	HANGER BEARING SPACER	1	1211 +
NOV 25/10	4	2200-00-0005	3700-DRIVE DOG- FORGED	1	
DEC 02/10	5	7230-05-8108	BRG- UNIT UCHB208-108D1-04#01	1	
	6	4033-12F1000	NUT-JAM 1" FINE THREAD	2	1000 - 1210
JAN 22/09	6B	5010-00-0009	WASHER-NORD LOCK 1 X 1 3/16 X 2 PART	3	1211 +
	7	4055-02C0260	NUT-LOCK UNI-TRQ 1/2 UNC	2	
	8	4001-32F7954	BLT-HEX 1 X 6 14TPI UNS GR 8	1	1000 - 1210
JAN 22/09	8B	4001-22S7954	BOLT-HEX 1 X 6 14 TPI UNS GR5 FULL THREAD	1	1211 +
	9	4001-22C2944	BLT-HX 1/2 X 3 1/2	2	
DEC 08/10	10	55-112575	3700 AUGER BEARING SHIELD CONE	1	1306 +
DEC 08/10	11	5010-00-0012	WAVE DISC SPRING	1	1306 +
	12	55-111054	3700 COMPLETE MIDDLE AUGER ASSEMBLY (INCL. 1 - 11)		
FEB 29/08	13	55-111632	BEARING HANGER KIT (INCL. 3, 5, 6, & 8)		1000 - 1210
JAN 22/09	13B	55-111779	BEARING HANGER KIT (INCL. 3B, 5, 6B, & 8B)		1211 +
MAR 07/08	14	55-110903	AUGER DRIVE PIN	1	
MAR 07/08	15	6740-00-3115	5/16 X 1 1/2 ROLL PIN	1	
MAR 07/08	16	55-111635	AUGER DRIVE PIN KIT (INCL.14 & 15)		
DEC 08/10	17	3890-00-0022	NEOPRENE RING - 12 3/8" X 15" X 1/4"	2	

UPPER AUGER ASSEMBLY  
SERIAL BREAK UP TO #1305

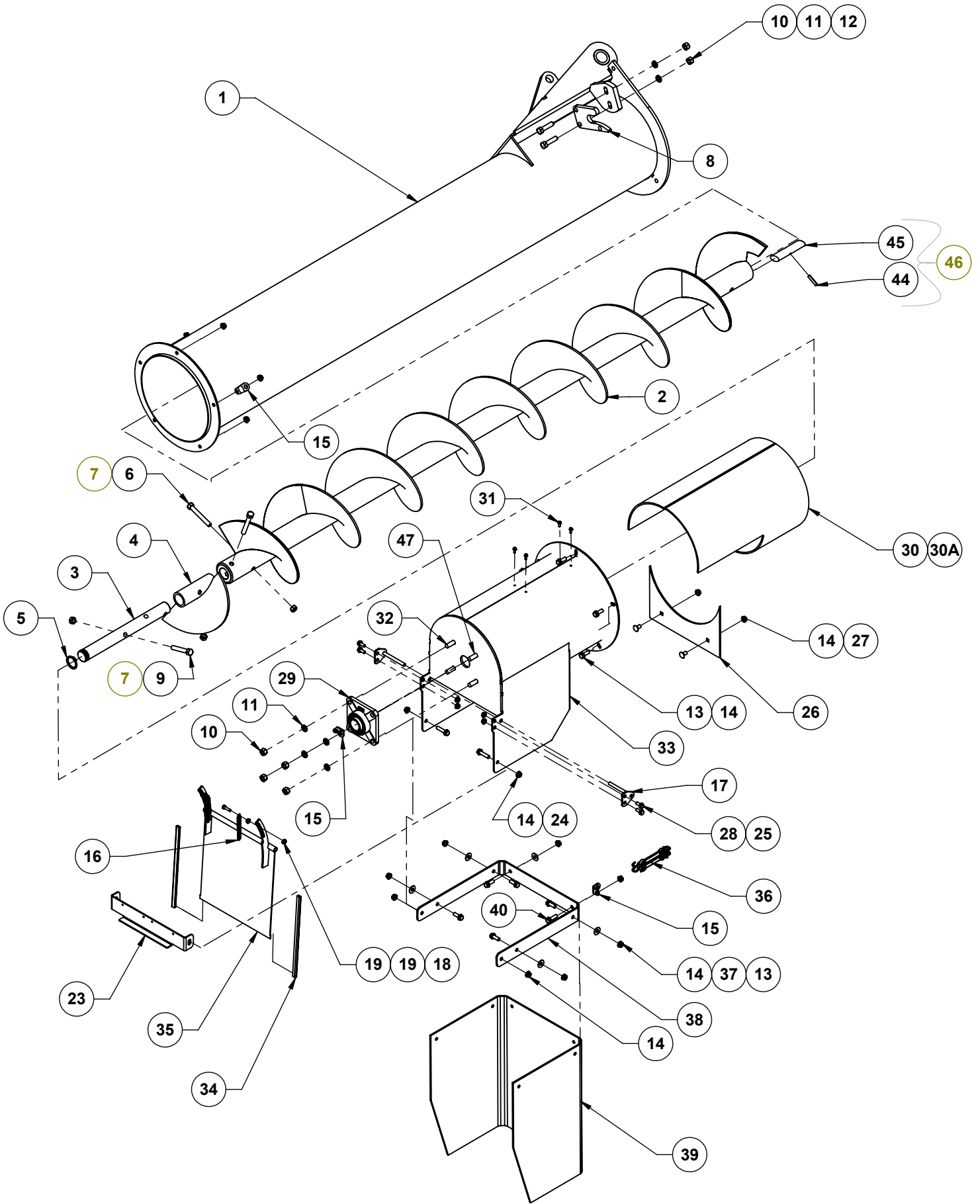


**3700 UPPER AUGER ASSEMBLY  
SERIAL BREAK UP TO #1305**

**3700 - PAGE 13A  
REV. JAN 14/11**

REVISED	NO	PART NUMBER	DESCRIPTION	QTY	SERIAL NUMBER
JUL 06/07	1	55-110854	UPPER AUGER PAINTED	1	1000 - 1089
JUL 06/07	1A	55-111412	UPPER AUGER PAINTED	1	1090+
	2	55-111053	3RD SECTION HARD SURFACED	1	
	3	55-110909	AUGER END SHAFT	1	
	4	55-110974	REVERSE FLYTING	1	
	5	5860-40-0150	SNAP RING 1 1/2" ID	1	
	6	4001-22C2944	BLT-HX 1/2 X 3 1/2	2	
	7	4055-02C0260	NUT-LOCK UNI-TRQ 1/2 UNC	3	
	8	55-111046	LATCH GUIDE	1	
	9	4001-22C2936	BOLT - HEX 1/2 X 3 GR 5	1	
	10	4030-21C0260	NUT-HEX 1/2 UNC PLTD GR.5	6	
	11	5000-03-0500	WASHER - LOCK 1/2 DIA. PLTD.	6	
	12	4001-22C2920	BLT-HX 1/2 X 2 GR5	2	
	13	4024-22C2502	BOLT-WHIZ 3/8 X 1 UNC GR.5	12	
FEB 29/08	14	4046-13C0235	NUT-WHIZ, FLG 3/8 UNC GR.5	17	
	15	55-111115	SPOUT RETAINING LUG PAINTED	3	
	16	6777-02-0053	3700 DUMP SPRING	2	
	17	55-111128	ADJ. HOLD PLATE PAINTED	1	
FEB 29/08	18	4001-22C2156	BOLT - HEX 1/4 X 1 GR. 5	1	
FEB 29/08	19	4046-13C0200	NUT-WHIZ, FLG 1/4 UNC GR.5	4	
	22	55-111127-99	END DUMP PIN PLATED	1	
	23	55-110868	REAR BRACE PAINTED	1	
	24	4024-22C2518	BOLT-WHIZ 3/8 X 1 1/2 UNC GR.5	2	
	25	4046-13C0220	NUT-WHIZ, FLG 5/16 UNC GR.5	2	
	26	55-110955	WEAR PLATE-PAINTED	1	
	27	4003-12C2494	BOLT-CARR 3/8 X 3/4 GR 2	2	
	28	4024-22C2344	BOLT-WHIZ 5/16 X 3/4 UNC GR.5	2	
	29	7228-10-8108	BRG UNIT - AELF 208-108D1	1	
	30	3703-04-0045	LINER DUMPER LRG	1	
AUG 24/07	30A	55-111579	END DUMP LINER KIT (INCL. POLY LINER & HARDWARE)		
	31	4890-ST-6009	BOLT-TEK #10-16 X 1/2	4	
OCT 02/08	32	4024-22C0515	BOLT-WHIZ 1/2 X 1 1/2 UNC GR.5	3	
	33	55-110859	END DUMP PAINTED	1	
	34	55-111111	DUMPER DOOR WEAR STRIPS	2	
	35	55-110860	DOOR WELD	1	
OCT 22/07	36	3900-82-5145	4" TARP STRAP	2	
	37	5009-02-0375	WASHER-FLAT 3/8 DIA. USS	5	
	38	55-111116	SPOUT BRACKET PAINTED	1	
	39	3320-00-0037	3700 RUBBER SPOUT	1	
	40	4024-22C2510	BOLT-WHIZ 3/8 X 1 1/4 UNC GR.5	1	
	42	55-111114	RUBBER SPOUT ASSEMBLY (INCL. 13-15, 36-39)	1	
OCT 02/08	43	55-110865	END DUMP ASSEMBLY (INCL. 13-35, 47)	1	
MAR 07/08	44	55-110903	AUGER DRIVE PIN	1	
MAR 07/08	45	6740-00-3115	5/16 X 1 1/2 ROLL PIN	1	
MAR 07/08	46	55-111635	AUGER DRIVE PIN KIT (INCL. 44 & 45)		
OCT 02/08	47	4024-22C0525	BOLT-WHIZ 1/2 X 2 UNC GR.5	1	

UPPER AUGER ASSEMBLY  
SERIAL #1306+

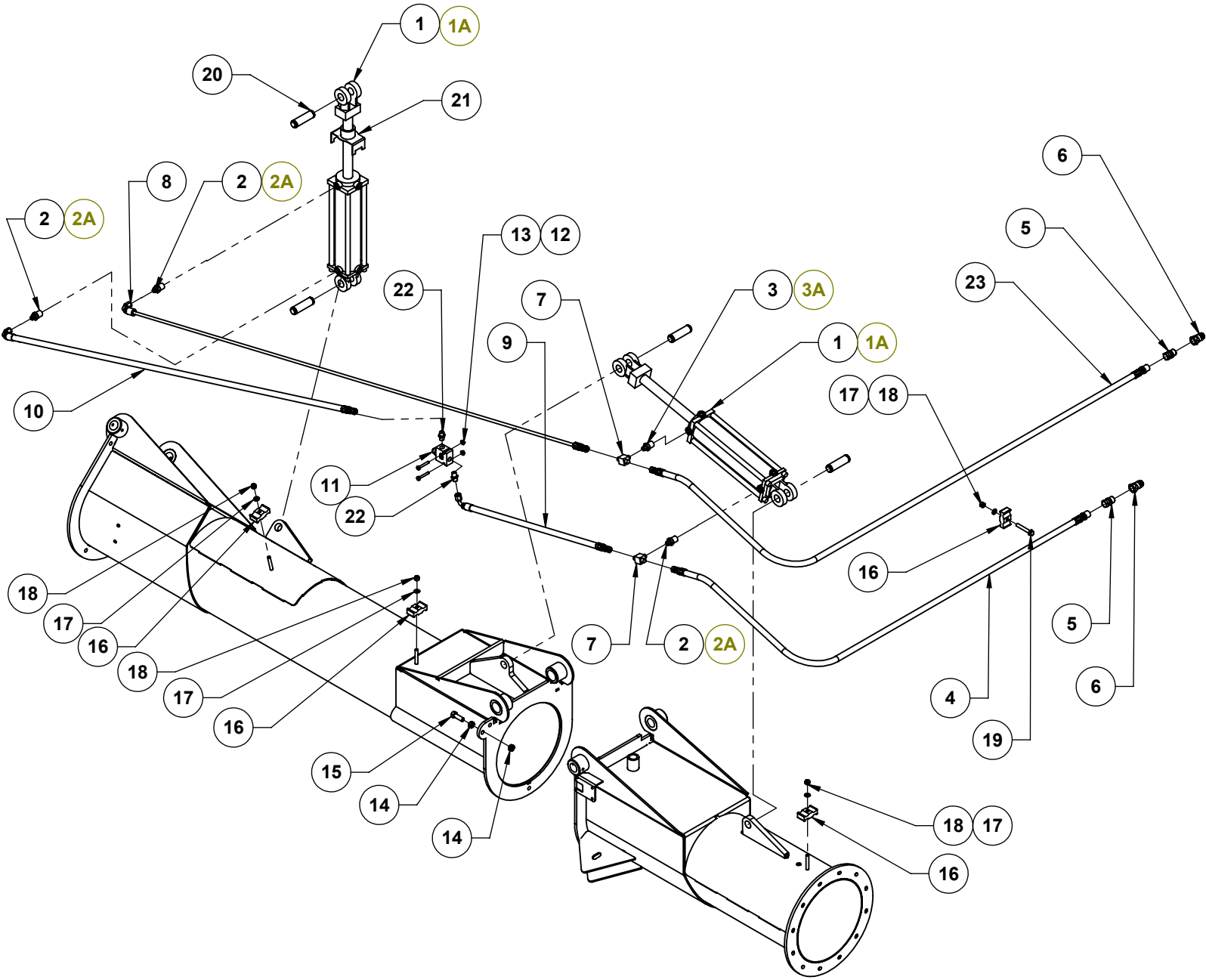


**3700 UPPER AUGER ASSEMBLY  
SERIAL #1306+**

**3700 - PAGE 13A-1  
FEB 08/11**

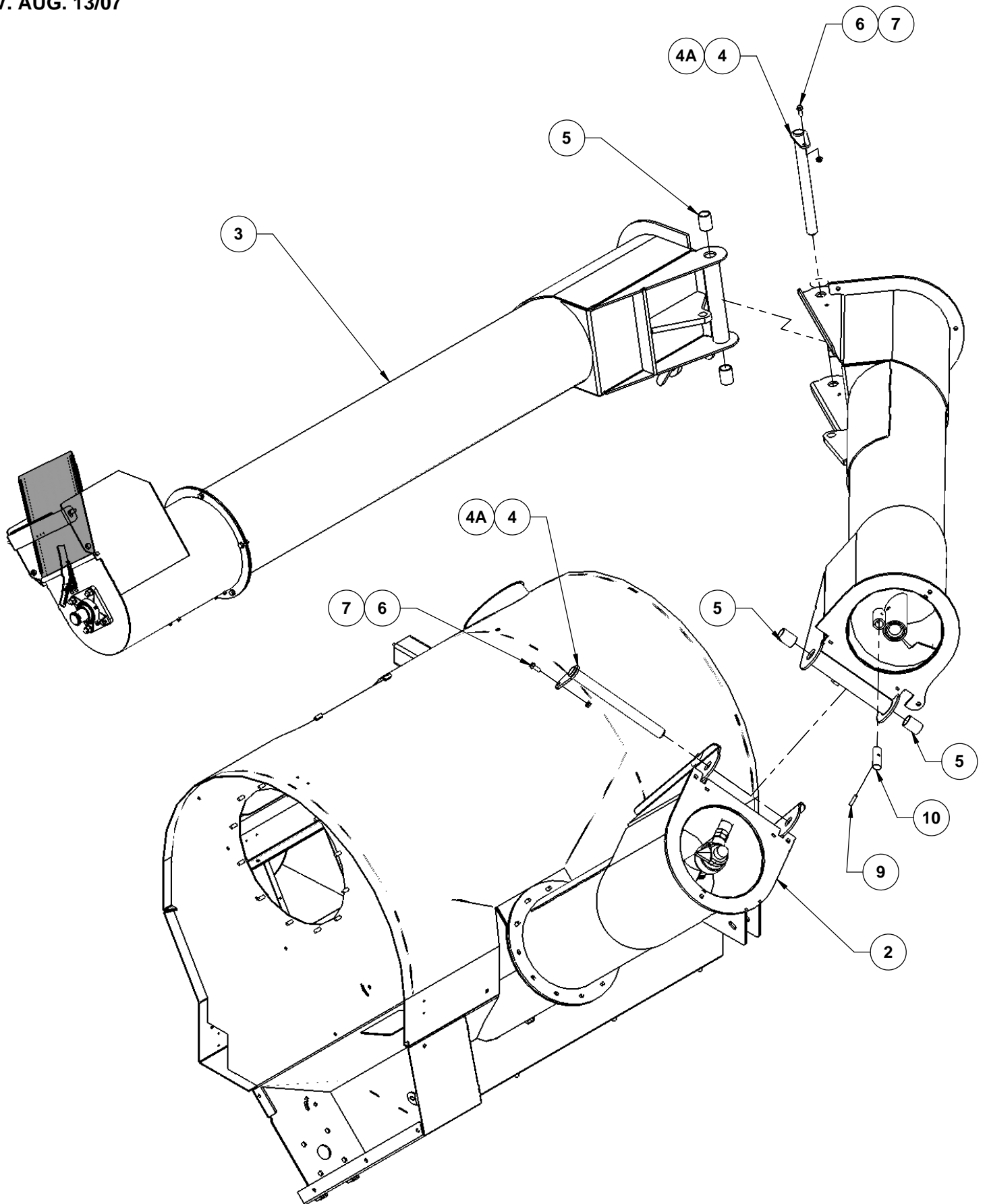
REVISED	NO	PART NUMBER	DESCRIPTION	QTY	SERIAL NUMBER
	1	55-111412	UPPER AUGER PAINTED	1	
	2	55-111053	3RD SECTION HARD SURFACED	1	
	3	55-110909	AUGER END SHAFT	1	
	4	55-110974	REVERSE FLYTING	1	
	5	5860-40-0150	SNAP RING 1 1/2" ID	1	
	6	4001-22C2944	BLT-HX 1/2 X 3 1/2	2	
	7	4055-02C0260	NUT-LOCK UNI-TRQ 1/2 UNC	3	
	8	55-111046	LATCH GUIDE	1	
	9	4001-22C2936	BOLT - HEX 1/2 X 3 GR 5	1	
	10	4030-21C0260	NUT-HEX 1/2 UNC PLTD GR.5	6	
	11	5000-03-0500	WASHER - LOCK 1/2 DIA. PLTD.	6	
	12	4001-22C2920	BLT-HX 1/2 X 2 GR5	2	
	13	4024-22C2502	BOLT-WHIZ 3/8 X 1 UNC GR.5	11	
	14	4046-13C0235	NUT-WHIZ, FLG 3/8 UNC GR.5	17	
	15	55-111115	SPOUT RETAINING LUG PAINTED	3	
	16	6777-02-0053	3700 DUMP SPRING	2	
	17	38-112541-99	WIDE END DUMP PIN PLATED	2	
	18	4001-22C2156	BOLT - HEX 1/4 X 1 GR. 5	2	
	19	4046-13C0200	NUT-WHIZ, FLG 1/4 UNC GR.5	4	
	23	55-110868	REAR BRACE PAINTED	1	
	24	4024-22C2518	BOLT-WHIZ 3/8 X 1 1/2 UNC GR.5	2	
FEB 08/11	25	4057-02C0235	NUT - FLANGE OVAL LOCK 3/8-16 UNC GR G	4	
	26	55-110955	WEAR PLATE-PAINTED	1	
	27	4003-12C2494	BOLT-CARR 3/8 X 3/4 GR 2	2	
FEB 08/11	28	4024-22C2502	BOLT - FLANGE 3/8-16 UNC X 1 GR 5	4	
	29	7228-10-8108	BRG UNIT - AELF 208-108D1	1	
	30	3703-04-0045	LINER DUMPER LRG	1	
	30A	55-111579	END DUMP LINER KIT (INCL. POLY LINER & HARDWARE)		
	31	4890-ST-6009	BOLT-TEK #10-16 X 1/2	4	
FEB 08/11	32	4024-22C0515	BOLT - FLANGE 1/2-13 UNC X 1 1/2 GR 5	3	
	33	55-112555	END DUMP PAINTED	1	
	34	55-111111	DUMPER DOOR WEAR STRIPS	2	
	35	55-112554	DOOR WELD	1	
	36	3900-82-5145	4" TARP STRAP	2	
	37	5009-02-0375	WASHER-FLAT 3/8 DIA. USS	5	
	38	55-111116	SPOUT BRACKET PAINTED	1	
	39	3320-00-0037	3700 RUBBER SPOUT	1	
	40	4024-22C2510	BOLT-WHIZ 3/8 X 1 1/4 UNC GR.5	1	
	42	55-111114	RUBBER SPOUT ASSEMBLY (INCL. 13-15, 36-39)	1	
FEB 08/11	43	55-112556	END DUMP ASSEMBLY (INCL. 13-35, 47)	1	
	44	55-110903	AUGER DRIVE PIN	1	
	45	6740-00-3115	5/16 X 1 1/2 ROLL PIN	1	
	46	55-111635	AUGER DRIVE PIN KIT (INCL. 44 & 45)		
	47	4024-22C0525	BOLT-WHIZ 1/2 X 2 UNC GR.5	1	

3700 HYDRAULIC ASSEMBLY



REVISED	NO	PART NUMBER	DESCRIPTION	QTY	SERIAL NUMBER
FEB 11/11	1	0300-21-0042	CYL-HYD 3 X 10 X 1 1/4	2	UP TO 1245
FEB 11/11	1A	0300-10-0043	CYL-HYD 3 X 10 X 1 1/4 (ORB)	2	1246+
FEB 11/11	2	6800-00-0118	ADAPTER 6MJIC - 8MP	3	UP TO 1245
FEB 11/11	2A	6800-00-0116	ADAPTER 6MJIC-6MB(ORB)	3	1246+
FEB 11/11	3	6800-00-0181	1/32 RESTRICT- 6MJIC-8MP	1	UP TO 1245
FEB 11/11	3A	6800-00-0115	3/8 RESTRICTOR 6MJIC-6MB(ORB)	1	1246+
NOV 16/10	4	6800-00-0112	3/8" HOSE @153" 8MP-6FJIC	1	
	5	6800-00-0218	1/32 RESTRICT-8MP-8FP SW	2	
	6	6800-00-0013	8010-4 FB COUPLER-PIONEER	2	
	7	6800-00-0208	TEE-6MJIC-6FJIC-6MJIC	2	
	8	6800-00-0204	3/8 HOSE@84" 6FJICX-6FJICX90	1	
	9	6800-00-0209	3/8" 24" HOSE 6FJIC-6FJIC 90	1	
	10	6800-00-0205	3/8" 68" HOSE 6FJIC-6FJIC 90	1	
	11	6800-00-0211	DELTROL VALVE ASSEMBLY	1	
	12	4001-22C2180	BLT-HX 1/4 X 1 3/4 GR 5	2	
	13	4046-13C0200	NUT-WHIZ FLG 1/4 UNC GR.5	2	
	14	4033-12C0500	NUT-JAM HEX 1/2 GR 5	2	
	15	4001-22C2904	BLT-HX 1/2 X 1 1/2 GR 5	1	
	16	6800-00-0212	STAUFF AG-3 HOSE HOLDER	4	
	17	5012-02-0375	WASHER-FLAT 3/8 DIA SAE	4	
	18	4049-13C0235	NUT-NY LOCK 3/8 UNC GR.5	4	
	19	4024-22C2542	BOLT-WHIZ 3/8 X 2 1/2 UNC GR.5	1	
	20	6731-00-0103	CLEVIS PIN -CYL 3" USEABLE	4	
MAY 17/10	21	55-112406-99	CYLINDER STOP PLATED	1	
	22	6800-00-0116	ADAPTER 6MJIC-6MB(ORB)	2	
NOV 16/10	23	6800-00-0226	3/8 HOSE @ 168 8MP - 6FJIC	1	
NOV 16/10	24	6800-00-0213	HYDRAULIC HOSE KIT (INCLUDES 2 - 11, 23)		
NOV 16/10	25	55-110983	HYDRAULIC HOSE ASSEMBLY (INCLUDES 1, 24 & 12)		

3700 AUGER HINGING ASSEMBLY



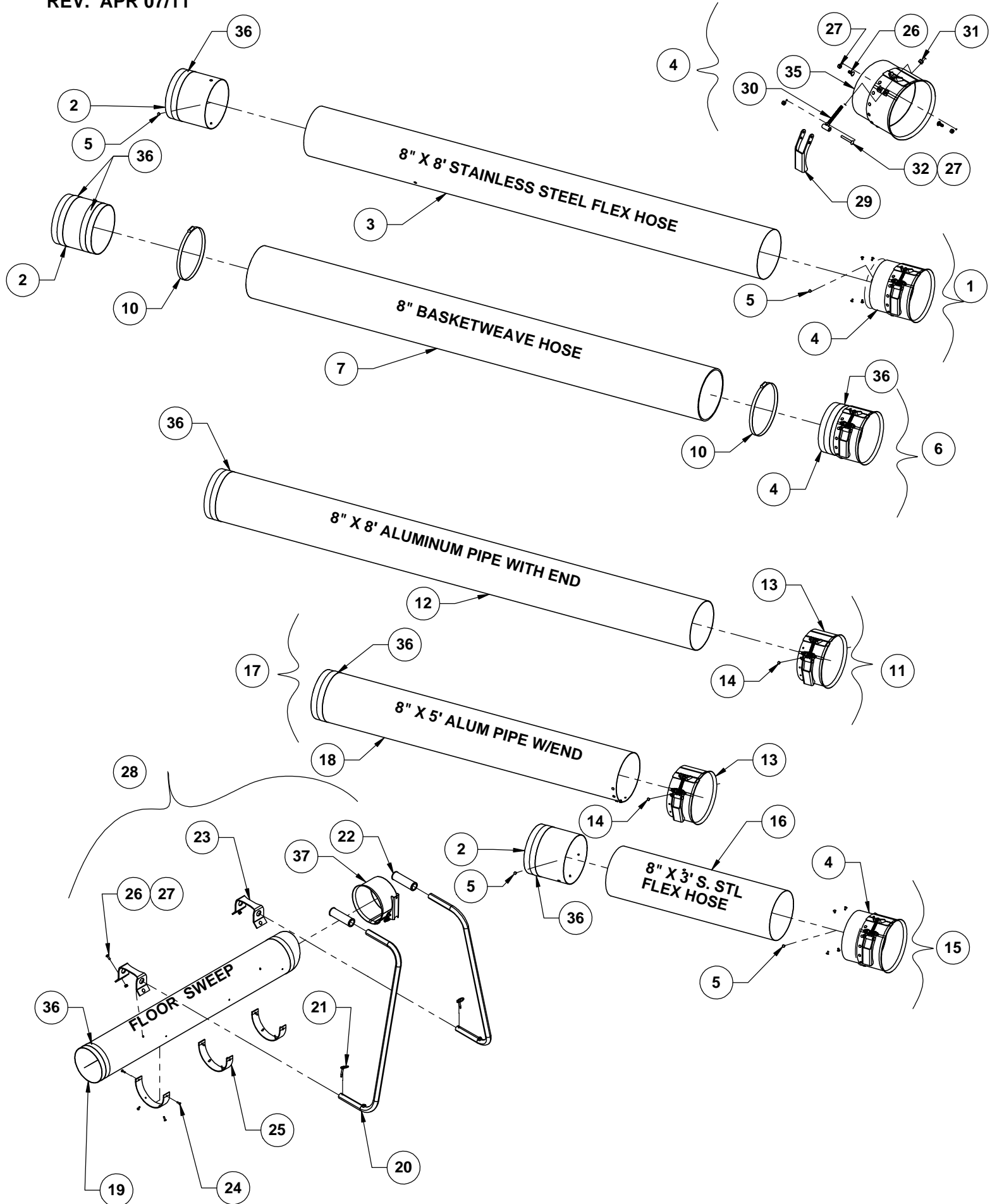


## 3700 AUGER HINGING ASSEMBLY

3700 - PAGE 15A

REV. AUG 13/07

REVISED	NO	PART NUMBER	DESCRIPTION	QTY	SERIAL NUMBER
	1	55-111054	MIDDLE AUGER ASSEMBLY	1	
	2	55-111050	LOWER AUGER ASSEMBLY	1	
	3	55-111055	UPPER AUGER ASSEMBLY	1	
AUG 13/07	4	55-111560-99	SOLID HINGE PIN PLATED	2	1091 +
AUG 13/07	4A	55-110857-99	SOLID HINGE PIN PLATED	2	1000 - 1090
	5	3721-00-0001	TEFLON BUSHING	4	
AUG 13/07	6	4024-22C2502	BOLT WHIZ 3/8 X 1 GR5	2	1091 +
AUG 13/07	7	4046-13C0235	NUT WHIZ FLG 3/8 GR5	2	1091 +
AUG 13/07	8	6740-00-3125	5/16 X 2 1/2" ROLL PIN (NOT SHOWN)	2	1000 - 1090
AUG 13/07	9	6740-00-3115	5/16" x 1 1/2" ROLL PIN	2	
AUG 13/07	10	55-110903	AUGER DRIVE PIN	2	



## 3700 STANDARD HOSES

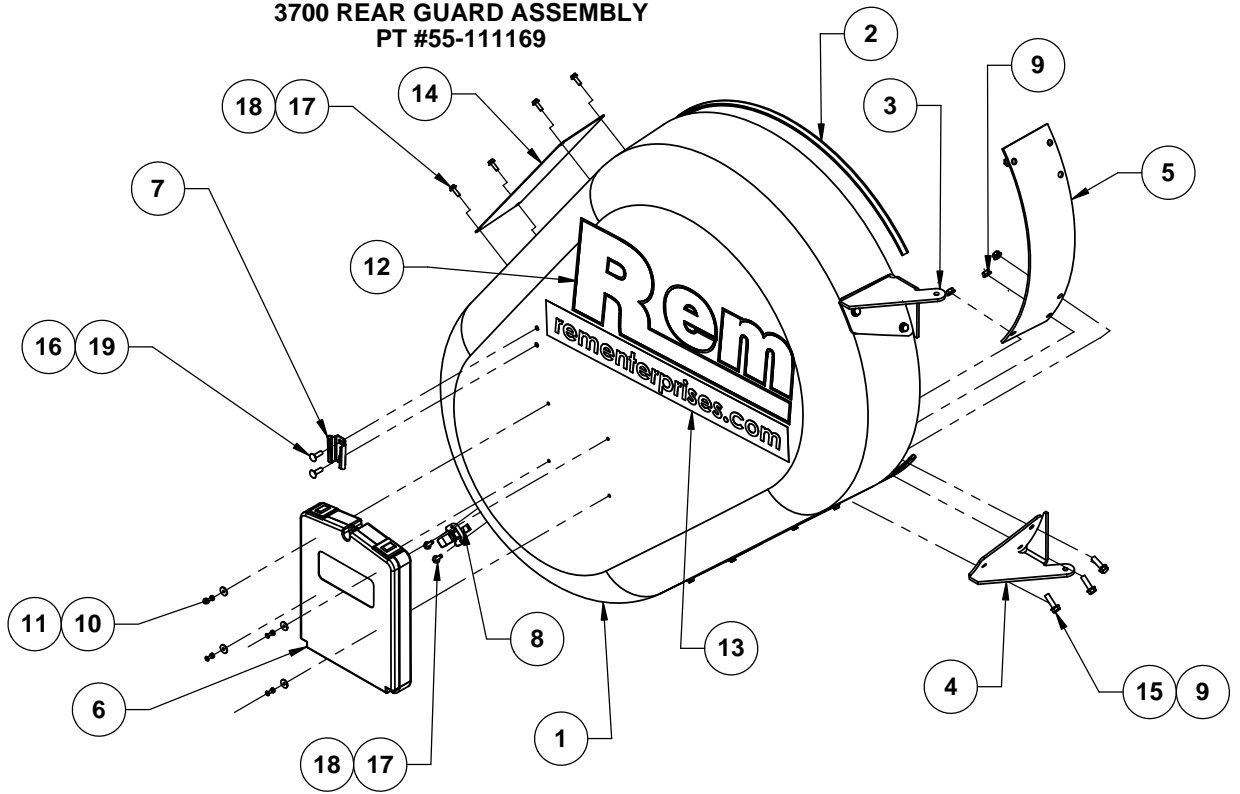
3700 - PAGE 16A

REV. APR 07/11

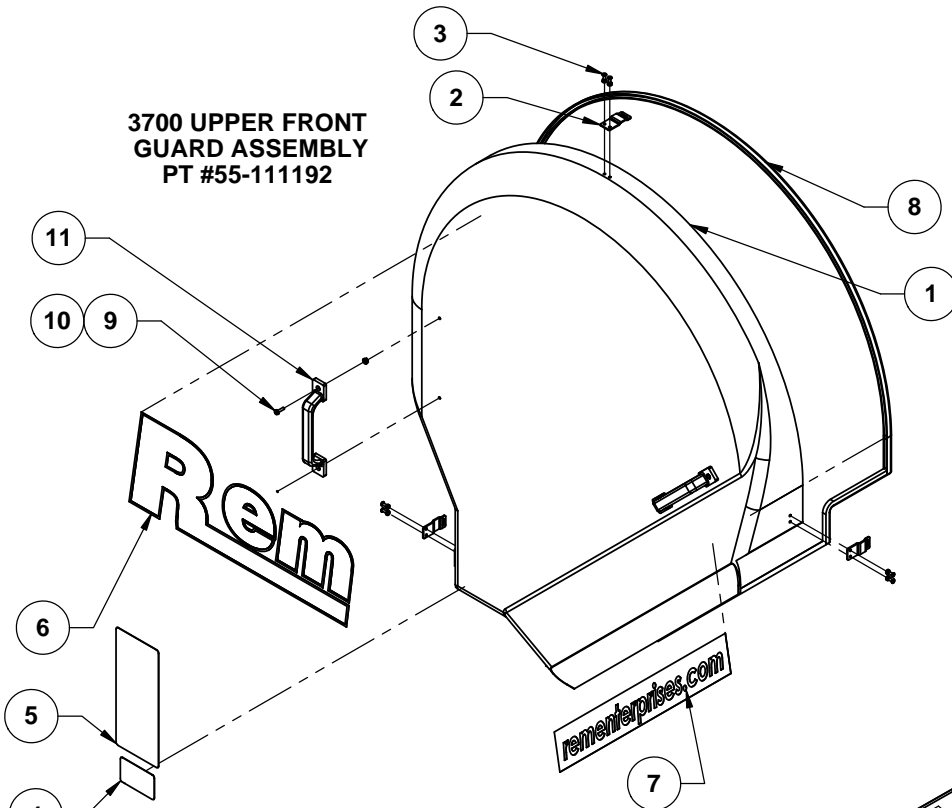
REVISED	NO	PART NUMBER	DESCRIPTION	QTY	SERIAL NUMBER	
SEP 07/10	1	38-110535	8" X 80" S.STL HOSE COMP. (INCL. 2 - 5 & 36)	2	1246+	
	2	38-110537-1	8" HOSE RING	2		
AUG 31/07	3	3422-08-0002	HOSE-STEEL STNLSS 8" X 80"	1		
DEC 14/10	4	55-112581	UPDATED 8" BELL CLAMP	2		
MAY 14/09	5	6760-00-0014	RIVET SHALLOW TUB RVT-14 (6/HOSE END)	24		
SEP 07/10	6	38-111393	8" BASKETWEAVE HOSE ASSY (INCL. 2,4,7,10 & 36)	1	1246+	
APR 13/09	7	3420-08-0080	HOSE-8" BASKETWEAVE 80"	1	1246+	
	10	6190-00-0128	CLAMP-HOSE HF-120	2		
SEP 07/10	11	55-111079	8" X 8' ALUM PIPE W/END (INCL. 12 - 14 & 36)	2	1246+	
	12	55-111078	8" X 8' ALUM PIPE	1		
APR 07/11	13	55-112660	8" HOSE END CLAMP COMPLETE	1	114100 +	
MAY 14/09	14	6760-00-0167	RIVET SHALLOW TUB RVT-167 (7/HOSE END)	14		
SEP 07/10	15	38-111569	8" X 29" S.STL HOSE COMP. (INCL. 2, 4, 5, 16 & 36)	1	1246+	
AUG 31/07	16	3422-08-0005	HOSE-STEEL STNLSS 8" X 29"	1		
MAR 08/11	17	55-111081	8" X 5' ALUM PIPE W/END (INCL. 13, 14, 18 & 36)	1	1246+	
DEC 14/10	18	55-111080	8" X 5' ALUM PIPE	1		
DEC 14/10	19	38-110673	8IN FLOOR SWEEP TUBE	1	1246+	
DEC 14/10	20	38-110059-1	STANDING FLOOR HANDLE(L)	2		
DEC 14/10	21	6739-00-0002	PIN-LYNCH 1/4 x 1 1/4"	2		
DEC 14/10	22	3420-01-0011	RUBBER HANDLE GRIPS	2		
DEC 14/10	23	38-110058-1	SWEEP FLAT HANDLE	2		
DEC 14/10	24	6755-00-0613	RIVET - MONOBOLT 2771-0613	12		
DEC 14/10	25	3702-21-0015	FLOOR SWEEP WEAR STRIP	3		
APR 07/11	26	4003-22C2325	BOLT-CARR 1/4 X 3/4 GR. 5	6	114100 +	
APR 07/11	27	4049-13C0200	NUT-NY LOCK 1/4 UNC GR.5	7	114100 +	
DEC 14/10	28	55-111833	STANDING FLOOR SWEEP 8" (INCL 19-27, & 37)	1	1246+	
DEC 14/10		HOSE CLAMP HARDWARE - COMMON FOR ALL STANDARD HOSES				
DEC 14/10	29	55-112665-1	HOSE CLAMP HANDLE - PAINT	1	114100 +	
DEC 14/10	30	38-110740-99	HOSE CLAMP ADJUSTMENT	1		
DEC 14/10	31	4049-13C0220	NUT NYLON LOCK 5/16 GR 5	1		
APR 07/11	32	4003-22C2332	BOLT-CARRIAGE 1/4-20 UNC X 2 GR 5	1	114100 +	
APR 07/11	33					
APR 07/11	34					
DEC 14/10	35	38-110539	8" CLAMP BAND &TUBE	1		
DEC 14/10	36	3760-02-0003	ANTI-SLIP ABRASIVE TAPE #A636 1"	9 (2.1FT PER)	1246+	
JAN 04/11	37	38-112494	AIR RESTRICTOR ASSEMBLY-8"	1		

### 3700 GUARD ASSEMBLIES

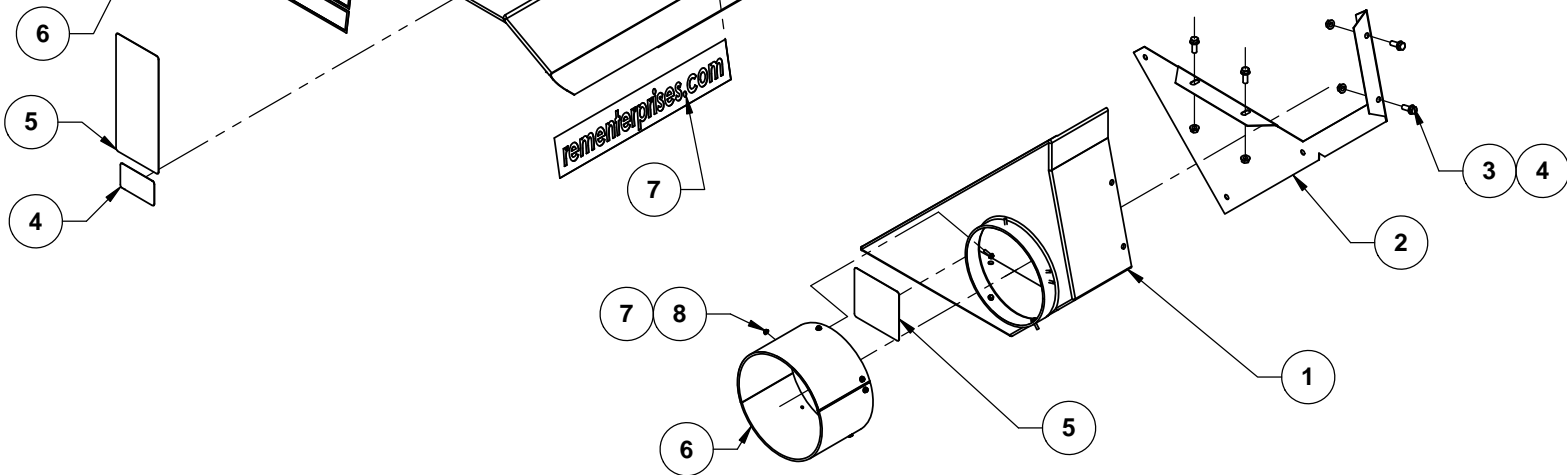
3700 REAR GUARD ASSEMBLY  
PT #55-111169



3700 UPPER FRONT  
GUARD ASSEMBLY  
PT #55-111192



3700 LOWER FRONT  
GUARD ASSEMBLY  
PT #55-111191



## 3700 REAR GUARD ASSEMBLY (PT#55-111169)

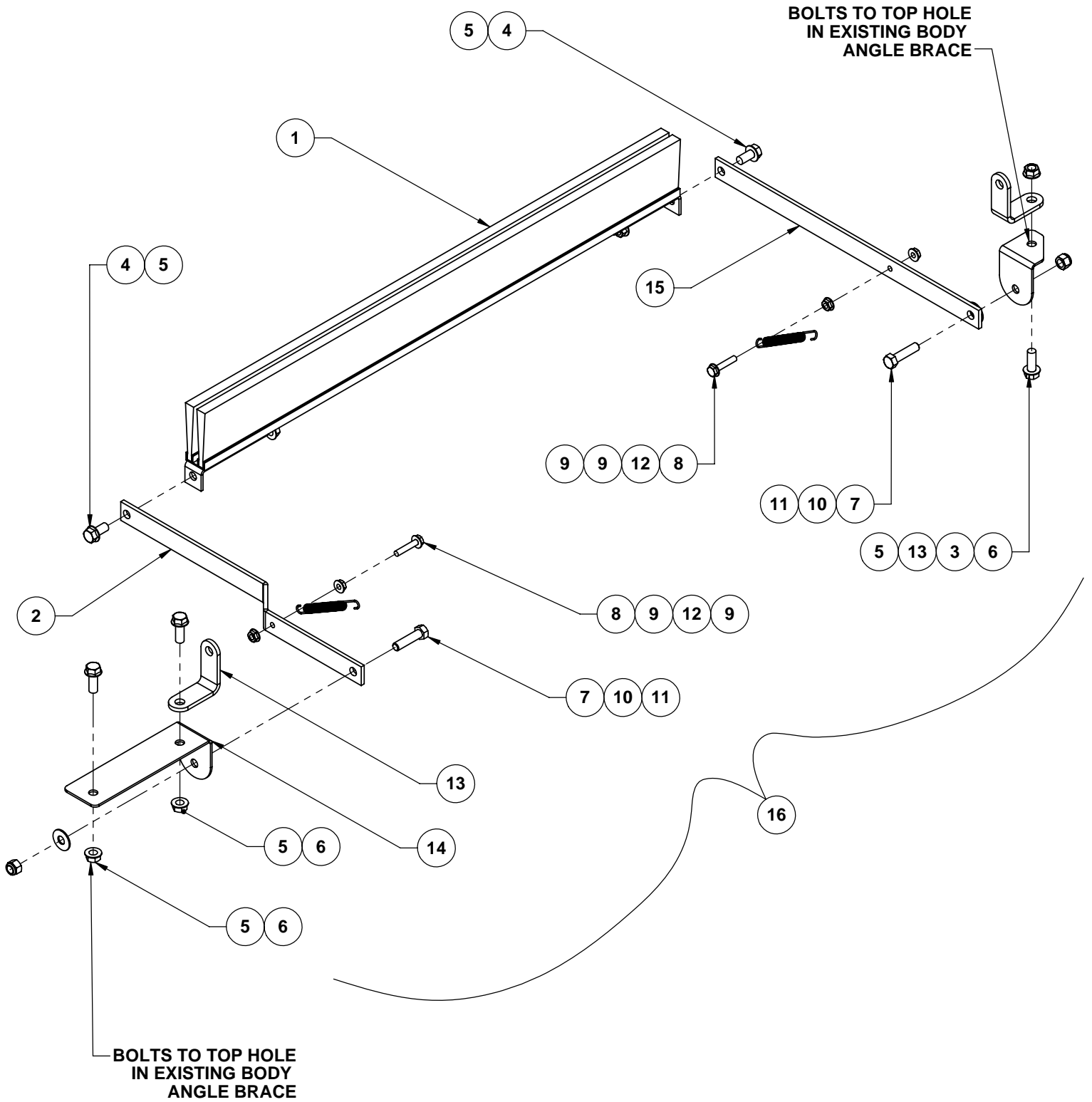
REVISED	NO	PART NUMBER	DESCRIPTION	QTY	SERIAL NUMBER
	1	3704-00-0004	3700 REAR GUARD	1	
	2	3890-00-0017	WEATHERSTRIP .410 X .580	11.9'	
	3	55-111188	GUARD TOP HINGE	1	
	4	55-111189	GUARD BOTTOM HINGE	1	
	5	55-111171	INSIDE HINGE PLATE	1	
	6	3703-00-0030	MANUAL STORAGE - CUSTOM PAK	1	
	7	0046-00-0001	BRACKET - VEHICLE MOUNT	1	
MAY 13/08	8	5190-00-0002	TENSION LATCH CLAMP	1	
	9	4046-13C0235	NUT-WHIZ, FLG 3/8 UNC GR.5	6	
	10	6755-00-0617	RIVET-MONOBOLT 2771-0617	4	
FEB 20/08	11	08-104414	BALANCE WEIGHTS - 14GA - 3/4"	4	
	12	9005-55-0170	DECAL-REM - 3700GV	1	
	13	9005-55-0171	DECAL STRIPING-WEBSITE	1	
	14	55-111174	REAR AIR SCREEN	2	
	15	4024-22C2510	BOLT-WHIZ 3/8 X 1 1/4 UNC GR.5	6	
	16	4046-13C0220	NUT-WHIZ, FLG 5/16 UNC GR. 5	2	
	17	4024-22C2148	BOLT-WHIZ 1/4 X 3/4 UNC GR.5	10	
	18	4046-13C0200	NUT-WHIZ, FLG 1/4 UNC GR.5	10	
	19	4003-12C2352	BOLT-CARR 5/16 X 1 UNC GR 2	2	

## 3700 UPPER FRONT GUARD ASSEMBLY (PT #55-111192)

	NO	PART NUMBER	DESCRIPTION	QTY	
	1	3704-00-0002	3700 FRONT TOP GUARD	1	
	2	55-111301	FRONT GUARD STRIKE	3	
	3	6755-00-0617	RIVET-MONOBOLT 2771-0617	6	
	4	9005-38-0126	DECAL-EAR PROTECTION	1	
	5	9005-38-0159	ROTATING PART/ READ MANUAL DECAL	1	
	6	9005-55-0170	DECAL-REM - 3700GV	1	
	7	9005-55-0171	DECAL STRIPING WEBSITE	1	
	8	3890-00-0017	WEATHERSTRIP .410 X .580	11.25'	
	9	4024-22C1024	BOLT - WHIZ #10-24 3/4"	4	
	10	4046-13C1024	NUT - WHIZ #10-24	4	
	11	0048-02-0006	480 - PLASTIC GRAB HANDLE BLK	2	

## 3700 LOWER FRONT GUARD ASSEMBLY (PT #55-111191)

	NO	PART NUMBER	DESCRIPTION	QTY	
	1	3704-00-0003	3700 FRONT LOWER GUARD	1	
	2	55-111110	LOWER SOLID GUARD BACK	1	
	3	4024-22C2502	BOLT-WHIZ 3/8 X 1 UNC GR.5	4	
	4	4046-13C0235	NUT-WHIZ, FLG 3/8 UNC GR.5	4	
	5	9005-38-0115	DECAL-ROTATING DRIVELINE	1	
	6	3320-00-0038	FRONT LOWER GUARD SPOUT	1	
	7	4024-22C1024	BOLT-WHIZ #10-24 - 3/4"	6	
	8	4046-13C1024	NUT-WHIZ FLG #10-24	6	

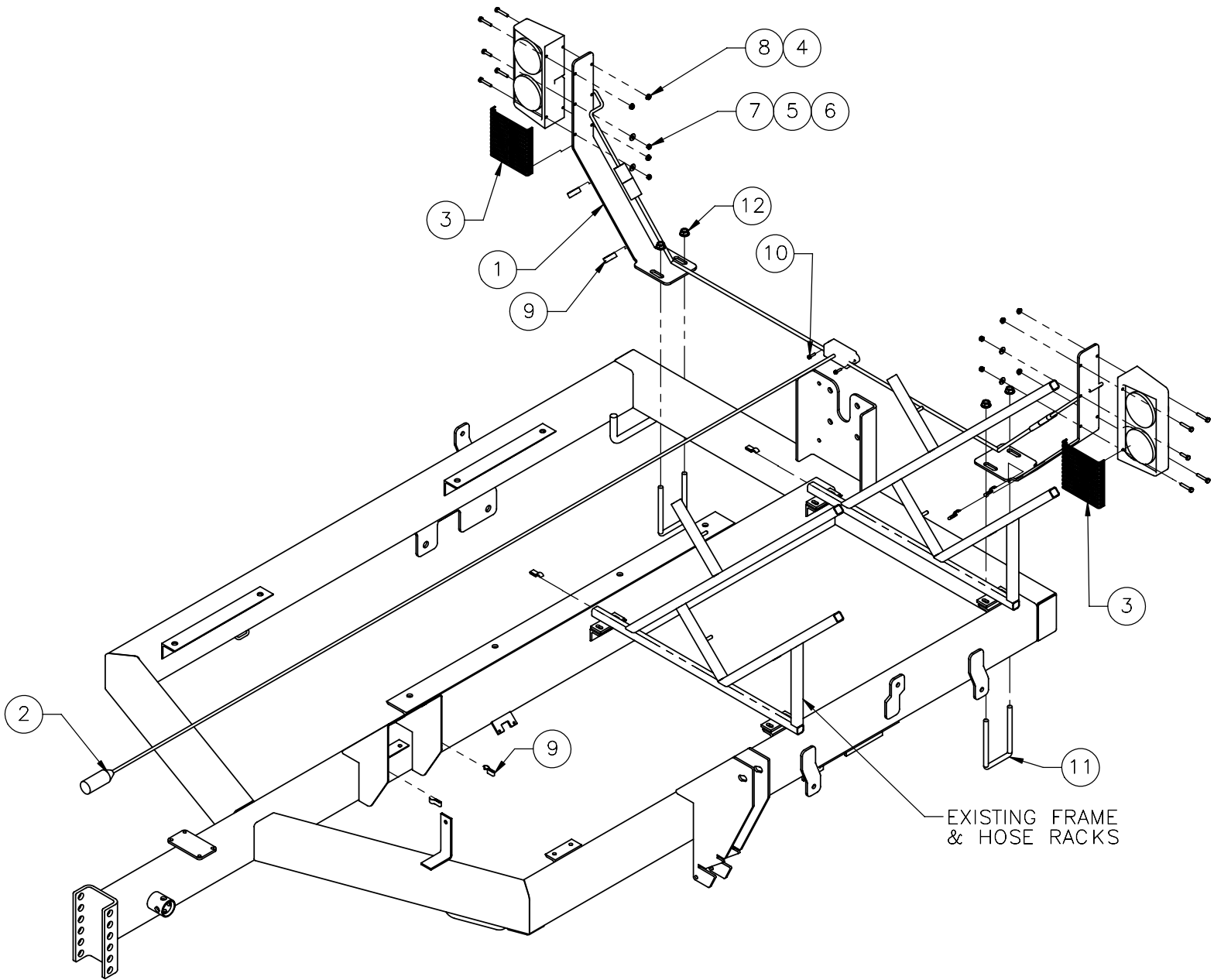


## 3700 DRUM BRUSH KIT

3700 - PAGE 18A

REV. MAR 5/07

REVISED	NO	PART NUMBER	DESCRIPTION	QTY	SERIAL NUMBER
	1	55-111224	BRUSH SUB ASSY-3700	1	
MARCH 5/07	2	38-110583	BRUSH ATTACHMENT SUPPORT	1	
	3	2430-01-0368	BRUSH SUPPORT HINGE	1	
	4	4024-22C2494	BOLT-WHIZ 3/8 X 3/4 UNC GR.5	2	
	5	4046-13C0235	NUT-WHIZ, FLG 3/8 UNC GR.5	5	
	6	4024-22C2502	BOLT-WHIZ 3/8 X 1 UNC GR.5	3	
	7	4065-22C2518	BLT-HX 3/8 X 1 1/2 GR 5 FULL THREAD	2	
	8	4024-22C2164	BOLT-WHIZ 1/4 X 1 1/4 UNC GR.5	2	
	9	4046-13C0200	NUT-WHIZ, FLG 1/4 UNC GR.5	4	
	10	5009-02-0375	WASHER-FLAT 3/8 DIA. USS	2	
	11	4049-13C0235	NUT-NY LOCK 3/8 UNC GR.5	2	
	12	6777-02-0008	IDLER CHAIN SPRING	2	
	13	2430-01-0664	BRUSH SPRING ATTACHMENT	2	
	14	2430-01-0663	BRUSH SUPPORT HINGE	1	
MARCH 5/07	15	55-111312	BRUSH KIT STRAIGHT ARM	1	
MARCH 5/07	16	55-111222	3700 DRUM BRUSH KIT (INCLUDES 1 - 15)		

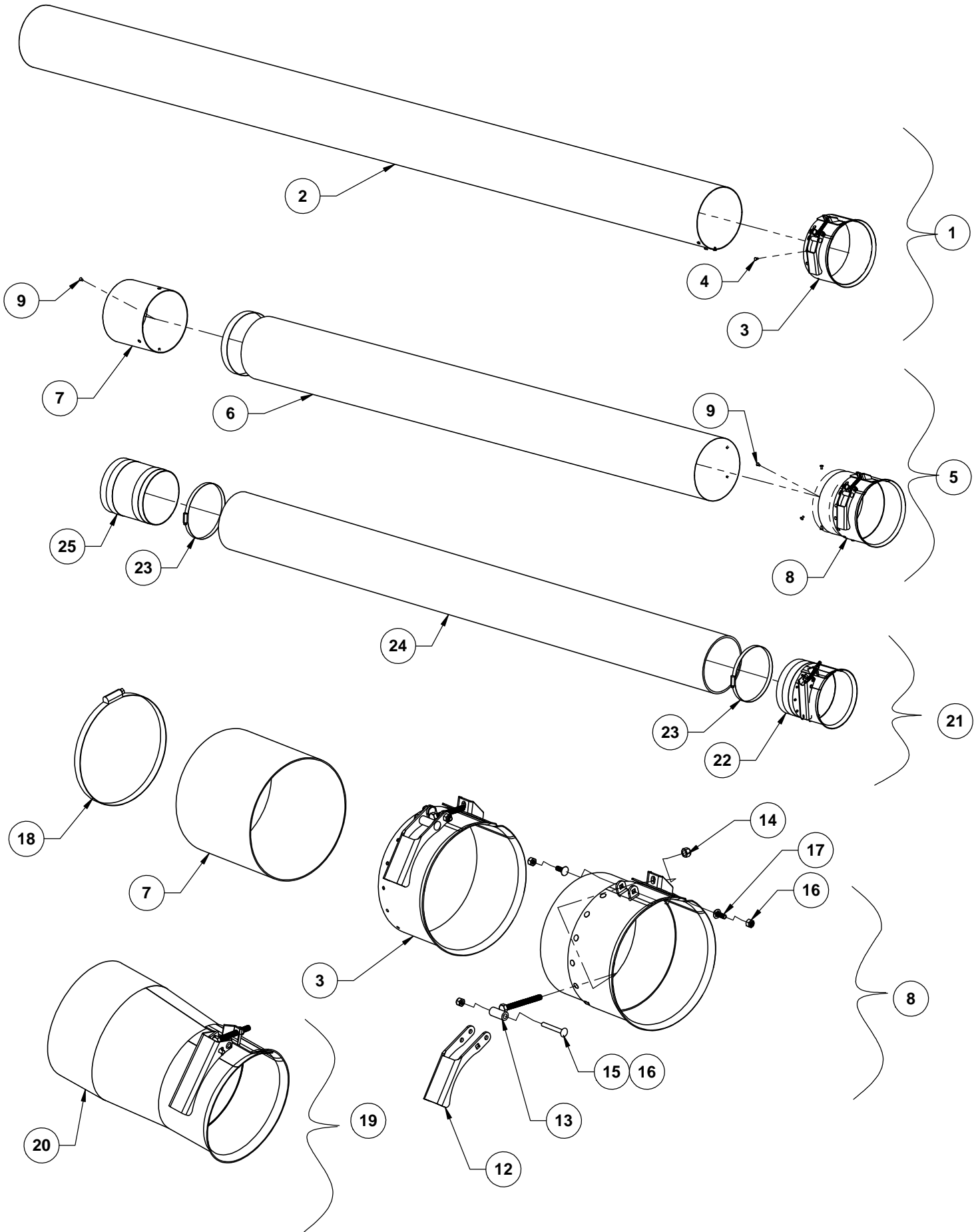




**3700 LIGHT KIT**

REVISED	NO	PART NUMBER	DESCRIPTION	QTY	SERIAL NUMBER
	1	55-111226-1	LIGHT BRACKET PAINTED	2	
	2	8575-00-0010	KIT-AG LAMPS & HARNESS	1	
	3	55-111228	ROCK GUARD	2	
	4	4001-22C2172	BOLT - HEX 1/4 X 1 1/2 GR. 5	8	
	5	5009-02-0250	WASHER - FLAT 1/4 DIA. USS	4	
	6	4001-22C2156	BLT-HX 1/4 X 1 GR 5 UNC	2	
	7	4049-13C0200	NUT-NY LOCK 1/4 UNC GR.5	4	
	8	4046-13C0200	NUT-WHIZ, FLG 1/4 UNC GR.5	6	
	9	8895-00-0002	WIRING LOOM 1 19/32" X 1/2"	8	
	10	4890-50-8005	BOLT-TEK #10-16 X 3/4	2	
	11	4320-00-0013	U-BOLT 1/2 X 3 1/8 X 6	2	
	12	4046-13C0500	NUT-WHIZ, FLG 1/2 UNC GR.5	4	
	13	55-111227	3700 LIGHT KIT (INCLUDES 1 - 12)		
FEB 26/07		8575-00-0011	OPTIONAL MAGNETIC LIGHT KIT WITHOUT PERMANENT MOUNTING BRACKETS		

3700 HOSE OPTIONS



## 3700 HOSE OPTIONS

3700 - PAGE 20A

REV. APR 07/11

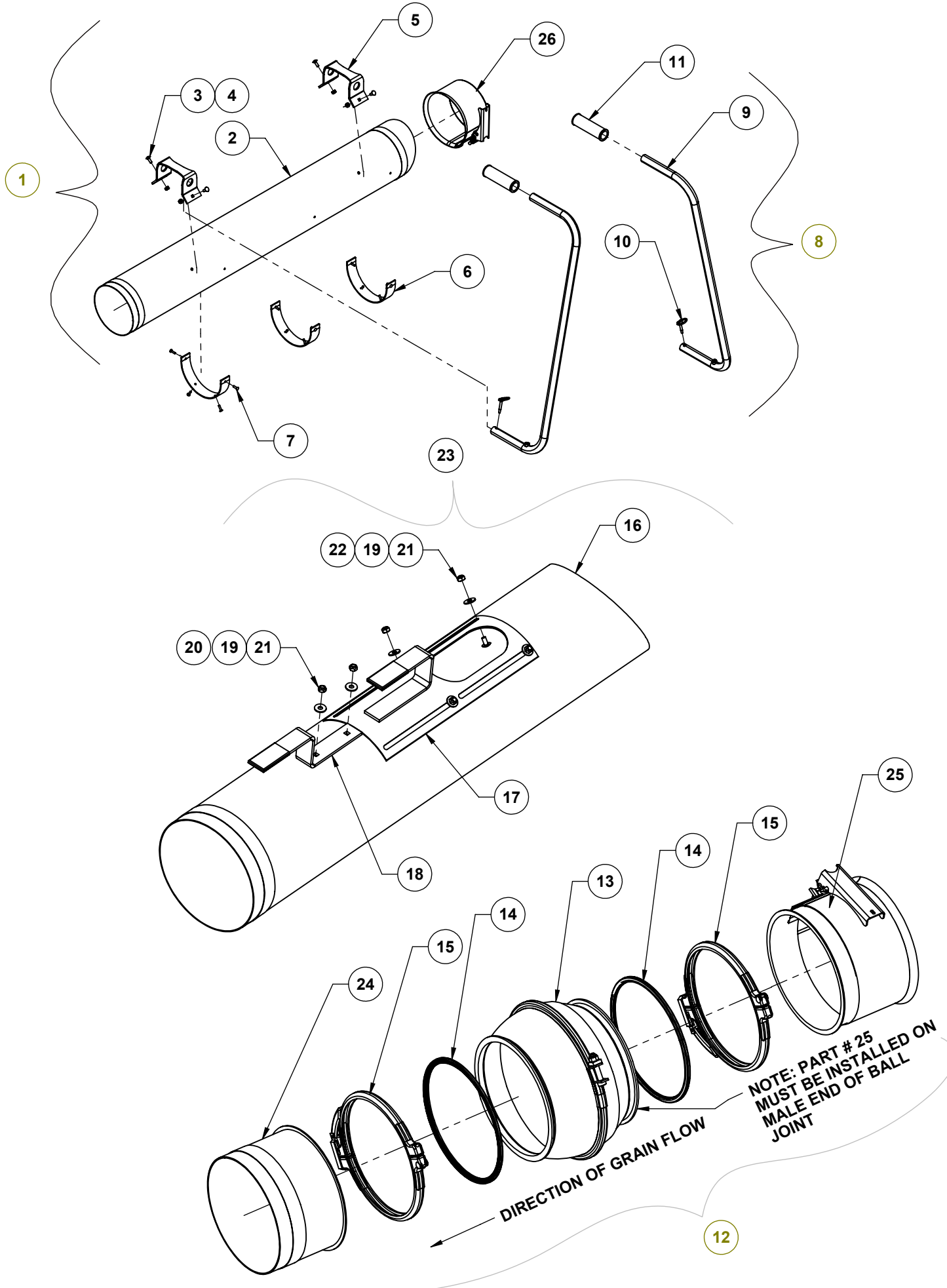
REVISED	NO	PART NUMBER	DESCRIPTION	QTY	SERIAL NUMBER
	1	38-110657	8" X 10' ALUM PIPE W/END	1	
	2	38-110655	8" X 10' ALUM PIPE	1	
APR 07/11	3	55-112660	8" HOSE END CLAMP COMPLETE	1	114100 +
	4	6760-00-0167	RIVET SHALLOW TUB RVT-167	4	
	5	38-110535	8" X 76" S.STL HOSE COMP.	1	
	6	3422-08-0002	HOSE-STEEL STNLSS 8" X 76"	1	
AUG 31/07	7	38-110537-1	8" HOSE RING	2	
JAN 04/11	8	55-112581	UPDATED 8" BELL CLAMP	2	
	9	6760-00-0014	RIVET SHALLOW TUB RVT-14	16	
JAN 04/11	10				
JAN 04/11	11				

## REPLACEMENT HOSE PIECES

APR 07/11	12	55-112665-1	HOSE CLAMP HANDLE - FORMED	1	114100 +
	13	38-110740-99	HOSE CLAMP ADJUSTMENT	1	
	14	4049-13C0220	NUT NYLON LOCK 5/16 GR5	1	
APR 07/11	15	4003-22C2332	BOLT-CARRIAGE 1/4-20 UNC X 2 GR 5	1	114100 +
APR 07/11	16	4049-13C0200	NUT-NY LOCK 1/4 UNC GR.5	3	114100 +
APR 07/11	17	4003-22C2325	BOLT-CARR 1/4 X 3/4 GR. 5	2	114100 +
	18	6190-00-0128	CLAMP-HOSE HF-120	1	

APR 13/09	19	38-110650	7" F - 8" M TRANSITION	1	
APR 13/09	20	38-110649-1	7" F - 8" M TRANSITION WELD	1	
APR 30/09	21	38-110954	7" BASKETWEAVE HOSE ASSEMBLY	1	
APR 30/09	22	38-111291	UPDATED 7" BELL CLAMP	1	
APR 30/09	23	6190-00-0128	CLAMP - HOSE 8" HAS-128	2	
APR 30/09	24	3420-07-0039	HOSE -7" BASKETWEAVE 80"	1	
APR 30/09	25	38-103856	TUBE 7" - BLACK	1	

### 3700 HOSE OPTIONS

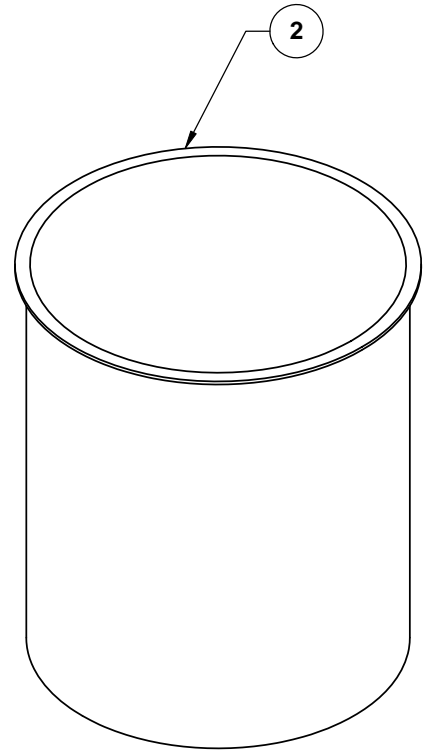
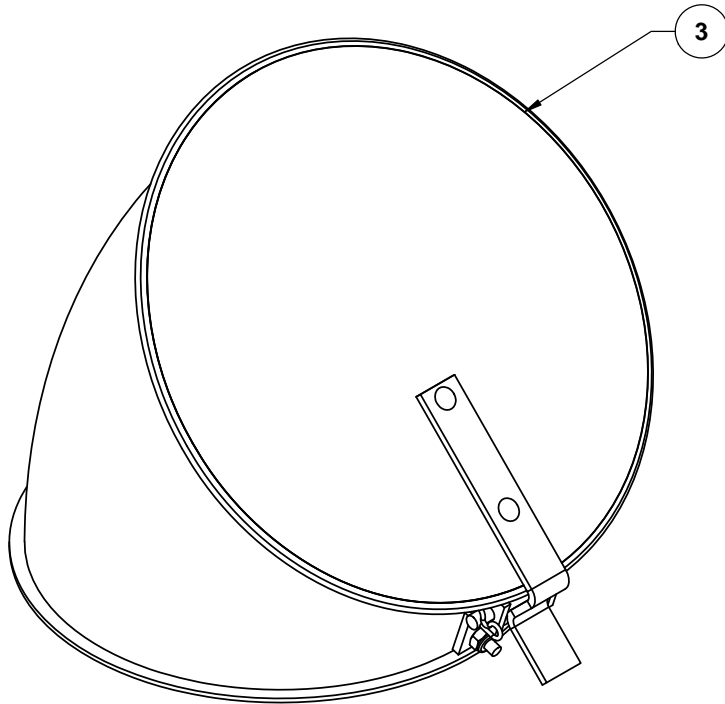
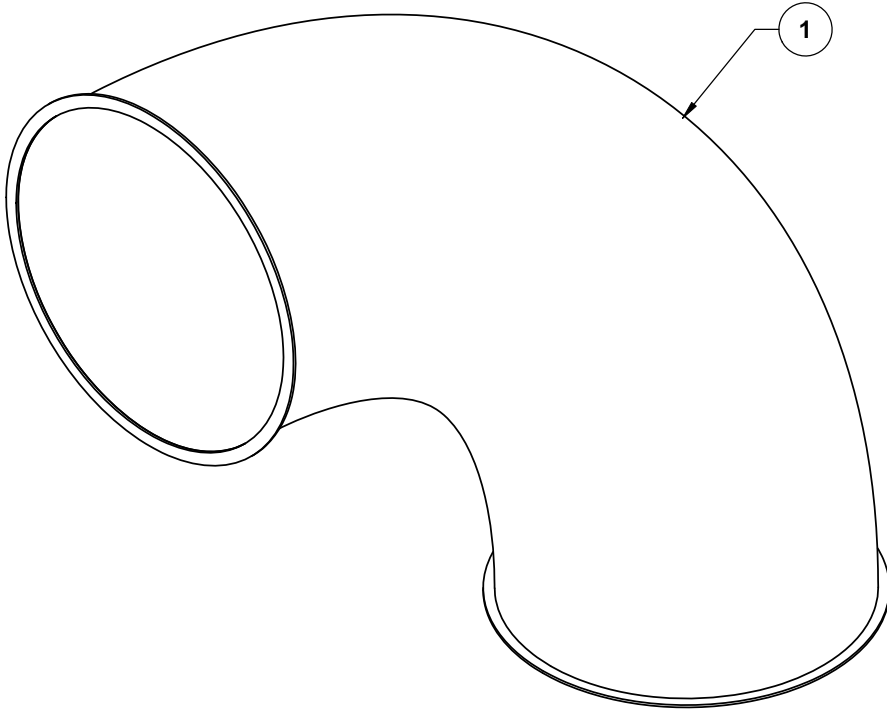


## 3700 HOSE OPTIONS

3700 - PAGE 21A

REV. NOV 01/11

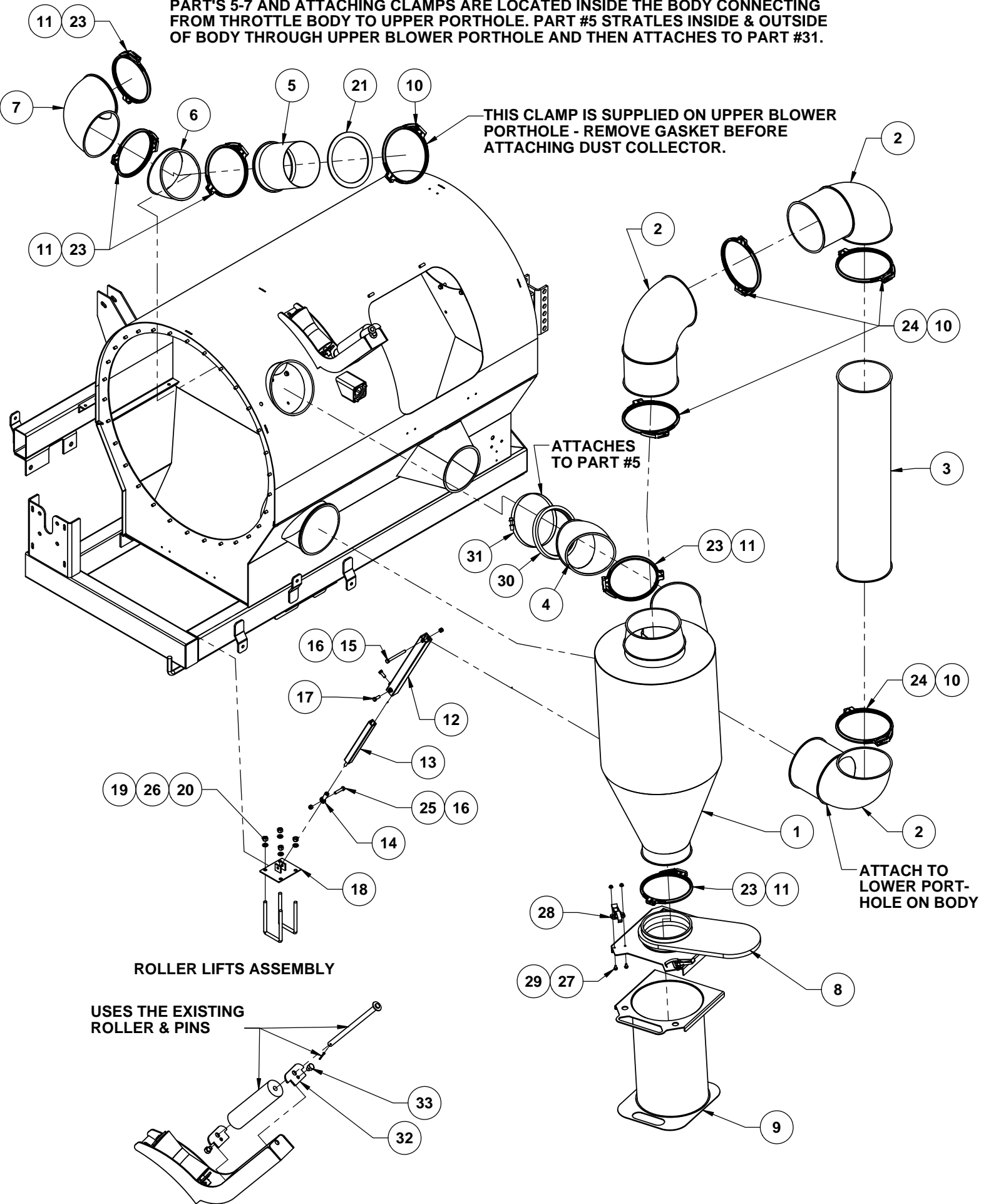
REVISED	NO	PART NUMBER	DESCRIPTION	QTY	SERIAL NUMBER
JAN 04/11	1	38-110676	8IN FLOOR SWEEP ASSEMBLY (INCL. 2-7 & 26)	1	
	2	38-110673	8 IN FLOOR SWEEP TUBE	1	
	3	4003-22C2325	BLT-CARR 1/4 X 3/4 ZNC PLT	4	
	4	4049-13C0200	NUT NYLON LOCK 1/4 GR5	4	
AUG 31/07	5	38-110058-1	SWEEP FLAT HANDLE	2	
	6	3702-21-0015	FLOOR SWEEP WEAR STRIP	3	
	7	6755-00-0613	RIVET MONOBOLT 2771-0613	12	
	8	38-110798	STANDING FLOOR SWEEP KIT (INCL. 9-11)	1	
AUG 31/07	9	38-110059-1	STANDING FLOOR HANDLE	2	
	10	6739-00-0002	PIN-LYNCH 1/4 X 1 1/4 PLT	2	
	11	3420-01-0011	RUBBER HANDLE GRIPS	2	
NOV 01/11	12	55-112194	8" BALL JOINT C/W ENDS (INCL.13-15 & 24 & 25)	1	
	13	2390-02-1508	8" PIPE BALL JOINT	1	
	14	2391-00-0004	U-SHAPED GASKET 200MM DIA	2	
	15	2391-00-0002	PULL RING - 200MM DIA	2	
MAY 06/09	16	55-111827	ALUM - LOAD OUT TUBE 8 INCH	1	
MAY 06/09	17	55-111830	SLIDING DOOR 8 INCH	1	
MAY 06/09	18	38-111783	S HANDLE	1	
MAY 06/09	19	5009-02-0250	WASHER - FLAT 1/4 DIA. USS	6	
MAY 06/09	20	4066-22C2575	BLT-TRUSS 1/4 X 3/4 UNC	2	
MAY 06/09	21	4055-02C0225	NUT-LOCK UNI-TRQ 1/4 UNC	6	
MAY 06/09	22	4010-22C0550	BLT-BUTTON HD 1/4 X 1/2	4	
MAY 06/09	23	55-111828	ALUM BIN LOAD OUT 8 INCH (INCL. 16 - 22)		
OCT 07/10	24	55-112198-1	8" BALL JOINT MALE ADAPTER	1	
OCT 07/10	25	55-111085	3700 INLET ASSEMBLY	1	
JAN 04/11	26	38-112494	AIR RESTRICTOR ASSEMBLY-8"	1	



**3700 EXHAUST OPTIONS****3700 - PAGE 22A****REV. MAR 31/09**

<b>REVISED</b>	<b>NO</b>	<b>PART NUMBER</b>	<b>DESCRIPTION</b>	<b>QTY</b>	<b>SERIAL NUMBER</b>
	1	55-111206	8" 90 DEGREE EXHAUST TUBE	1	
	2	55-111207	8" X 11" EXHAUST ADAPTER	1	
MAR 31/09	3	38-111825	LID KIT 2700/3700	1	

PART'S 5-7 AND ATTACHING CLAMPS ARE LOCATED INSIDE THE BODY CONNECTING FROM THROTTLE BODY TO UPPER PORTHOLE. PART #5 STRATLES INSIDE & OUTSIDE OF BODY THROUGH UPPER BLOWER PORTHOLE AND THEN ATTACHES TO PART #31.





## 3700 DUST COLLECTOR

3700 - PAGE 23A

REV. NOV 19/08

REVISED	NO	PART NUMBER	DESCRIPTION	QTY	SERIAL NUMBER
JUL 17/08	1	55-111595-1	CYCLONE BODY - PAINT	1	
JUL 17/08	2	55-111601-1	9" ELBOW PAINT	3	
JUL 17/08	3	55-111605-1	9" X 40" JACOB TUBE - PAINT	1	
JUL 17/08	4	55-111606-1	8" 45DEG ELBOW - PAINT	1	
JUL 17/08	5	55-111607-1	8" X 8" SLIP TUBE - PAINT	1	
JUL 17/08	6	55-111608-1	8" 30DEG ELBOW - PAINT	1	
JUL 17/08	7	55-111609-1	8" 90DEG ELBOW - PAINT	1	
JUL 17/08	8	55-111643-1	UPPER SLIDE CONNECTION B - PAINT	1	
JUL 17/08	9	55-111645-1	DUST CANNISTER B - PAINT	1	
	10	2391-00-0001	PULL RING 224MM	4	
	11	2391-00-0002	PULL RING 200MM	6	
JUL 17/08	12	55-111614-1	CYCLONE SUPPORT OUTSIDE	1	
JUL 17/08	13	55-111612-1	CYCLONE SUPPORT - BOTTOM	1	
	14	7330-00-0001	BALL JOINT ROD END	1	
	15	4001-22C2566	BOLT HEX 3/8 X 4 UNC GR.5	1	
	16	4049-1C0235	NUT-NYLOCK 3/8" UNC	2	
	17	4001-22C2502	BOLT HEX 3/8 X 1 UNC GR.5	2	
JUL 17/08	18	55-111616-1	CYCLONE FOOT PIVOT	1	
	19	4320-00-0013	U-BOLT 1/2 X 3 1/8 X 6	2	
	20	4030-21C0260	NUT-HEX 1/2 UNC PLTD GR.5	4	
	21	3703-04-0052	9"-8" UHMW SEAL	1	
NOV 19/08	22				
	23	2391-00-0004	U-SHAPED GASKET 200MM	6	
	24	2391-00-0003	U-SHAPED GASKET 224MM	4	
	25	4001-22C2526	BOLT HEX 3/8 X 1 3/4 GR.5	1	
	26	5000-03-0500	WASHER - LOCK 1/2 DIA. PLTD	4	
	27	4024-22C2140	BOLT-WHIZ 1/4 X 1/2 UNC GR.5	4	
	28	5190-00-0002	TENSION LATCH CLAMP	2	
	29	4046-1C0200	NUT-WHIZ, FLG 1/4 UNC GR.5	4	
NOV 19/08	30	2391-00-0010	RUBBER BEAD RING 200MM	1	
NOV 19/08	31	2391-00-0011	CLAMPING RING 200MM	1	
NOV 19/08	32	55-111706-1	ROLLER LIFT - PAINT	2	
NOV 19/08	33	55-111769	ROLLER LIFT BOLT	2	



**37**  
*hundred*

**REM ENTERPRISES INC.  
P.O. BOX 1207  
2180 OMAN DRIVE  
SWIFT CURRENT, SK  
CANADA S9H 3X4  
PHONE (306) 773-0644  
FAX (306) 773-1188**

**Email: [remsales@rem.sk.ca](mailto:remsales@rem.sk.ca)**